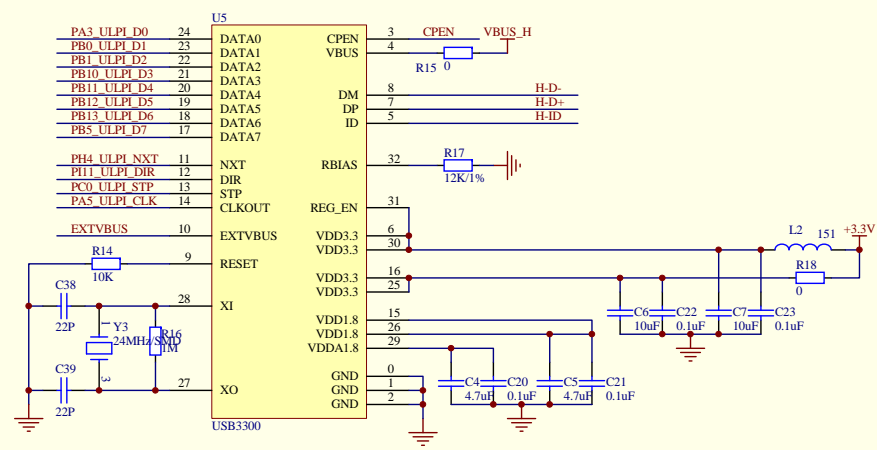
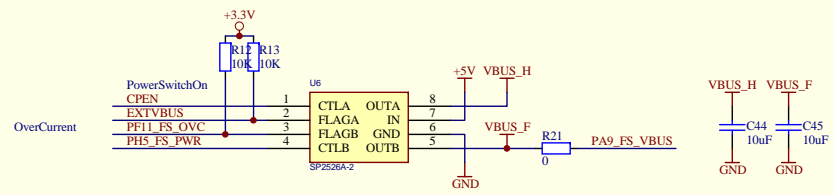


Title	Number	Revision
File: E:\work\ARMSTM32P2\2\Scheme\FSMC_BW07G6.dbs		



Title		
Size	Number	Revision
B		
Date:	13-Feb-2012	Sheet of
File:	E:\Mywork\ARM\STM32F2x7\Schematic\STM32F207\IGT6.ddb	