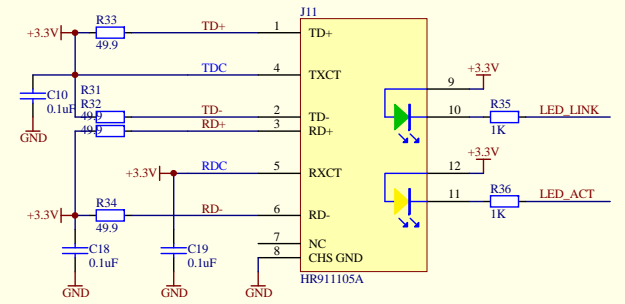
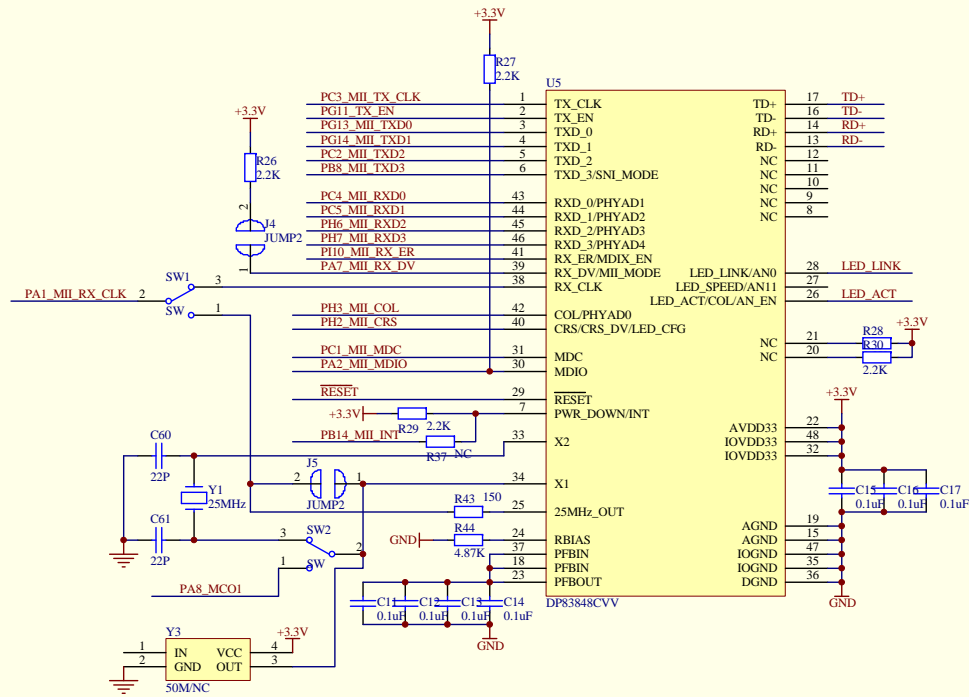
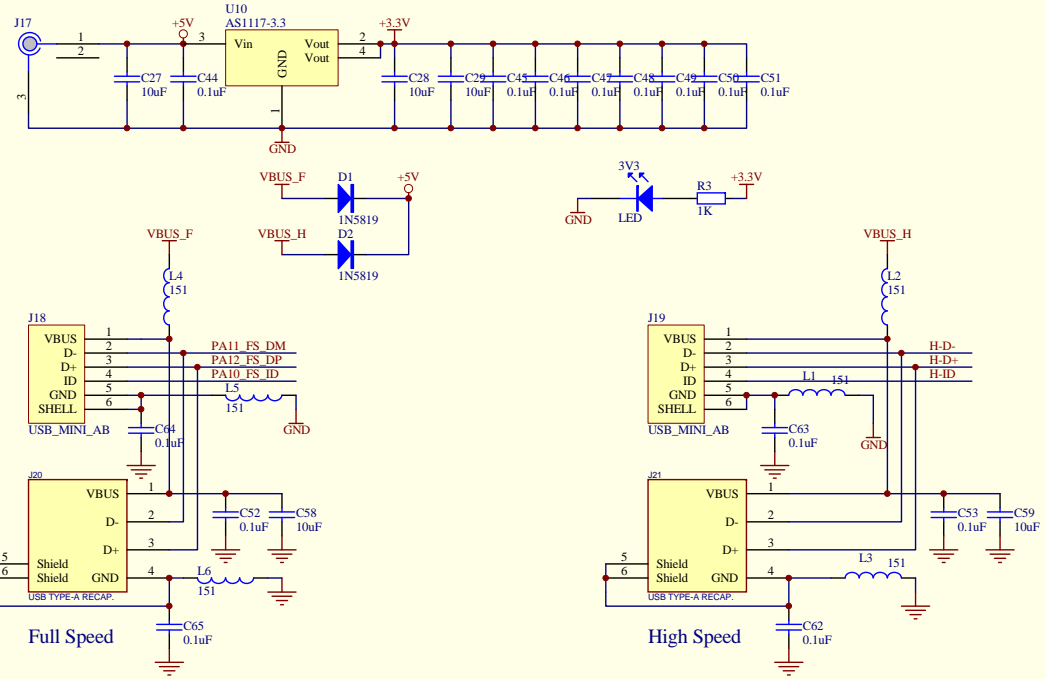


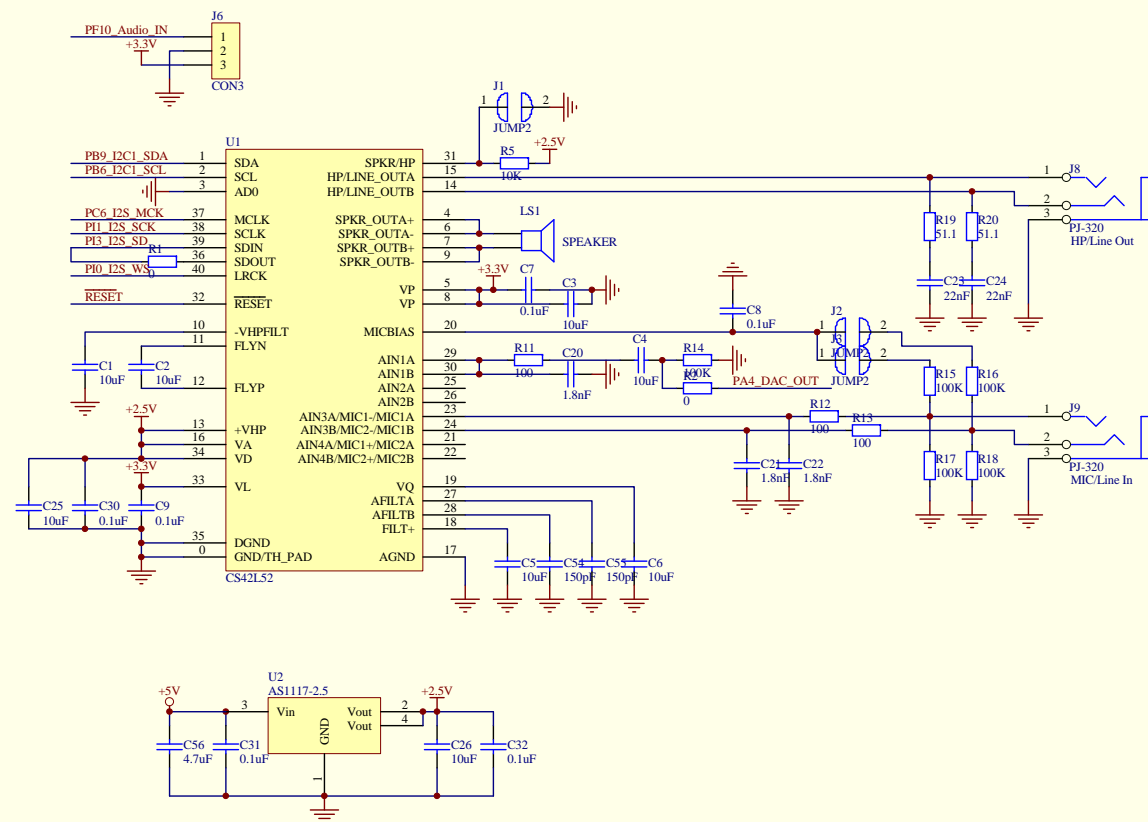
Title		
Size	Number	Revision
Date:	13-Feb-2012	Sheet of
File:	E:\Mywork\ARM\STM32F2x7\Schematic\SD431F87\IGT6-Mother-Board.ddb	SD431F87



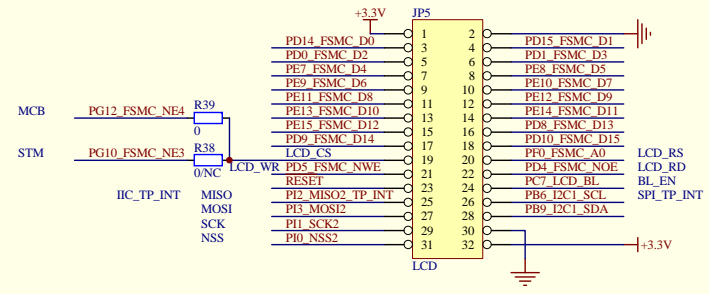
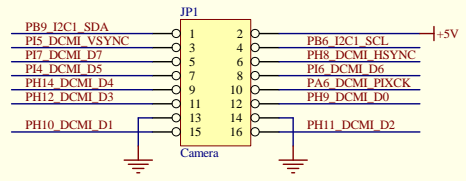
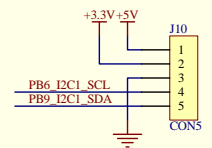
Title		
Size	Number	Revision
B		
Date:	13-Feb-2012	Sheet of
File:	E:\Mywork\ARM\STM32F2x7\Schematic\STM32F2x7\IGT6-Mother-Board.ddb	6



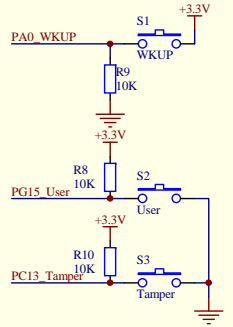
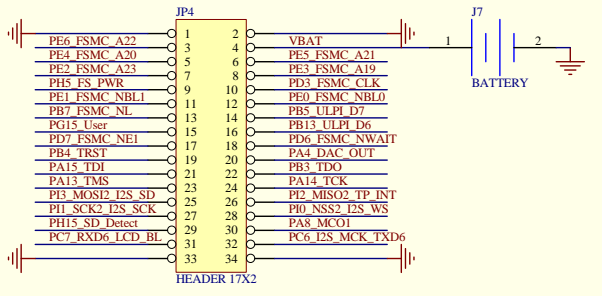
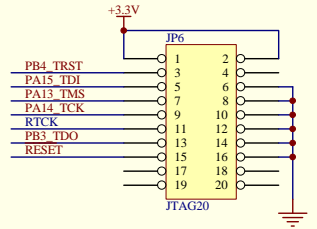
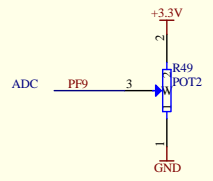
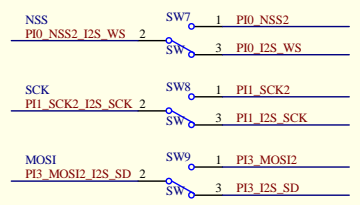
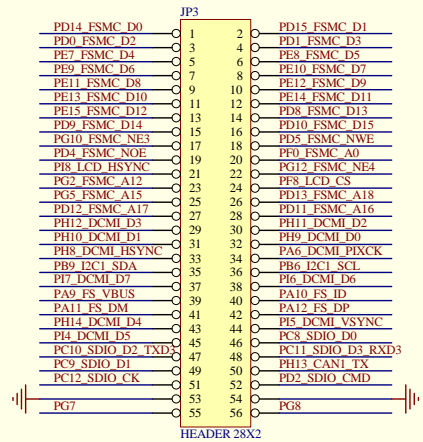
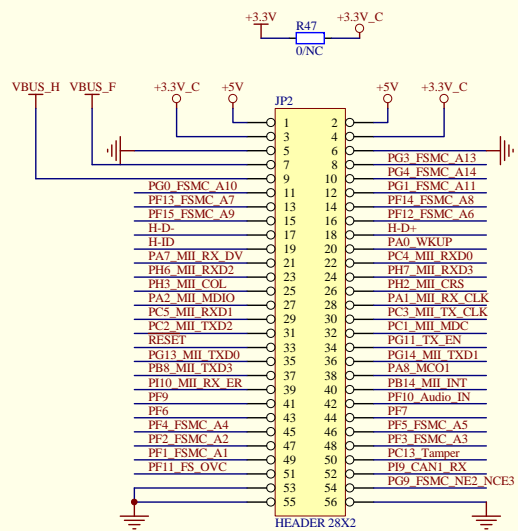
Title		
Size	Number	Revision
B		
Date:	13-Feb-2012	Sheet of
File:	E:\Mywork\ARM\STM32F2x7\Schematic\STM32F2x7\IGT6-Mother-Board.ddb	5



Title		
Size	Number	Revision
B		
Date:	13-Feb-2012	Sheet of
File:	E:\Mywork\ARM\STM32F2x7\Schematic\STM32F2x7\IGT6-Mother-Board.ddb	6



Title		
Size	Number	Revision
B		
Date:	13-Feb-2012	Sheet of
File:	E:\Mywork\ARM\STM32F2x7\Schematic\STM32F2x7\IGT6-Mother-Board.ddb	



Title		
Size	Number	Revision
Date:	13-Feb-2012	Sheet of
File:	E:\Mywork\ARM\STM32F2x7\Schematic\SDM32F2x7\IGT6-Mother-Board.ddb	4