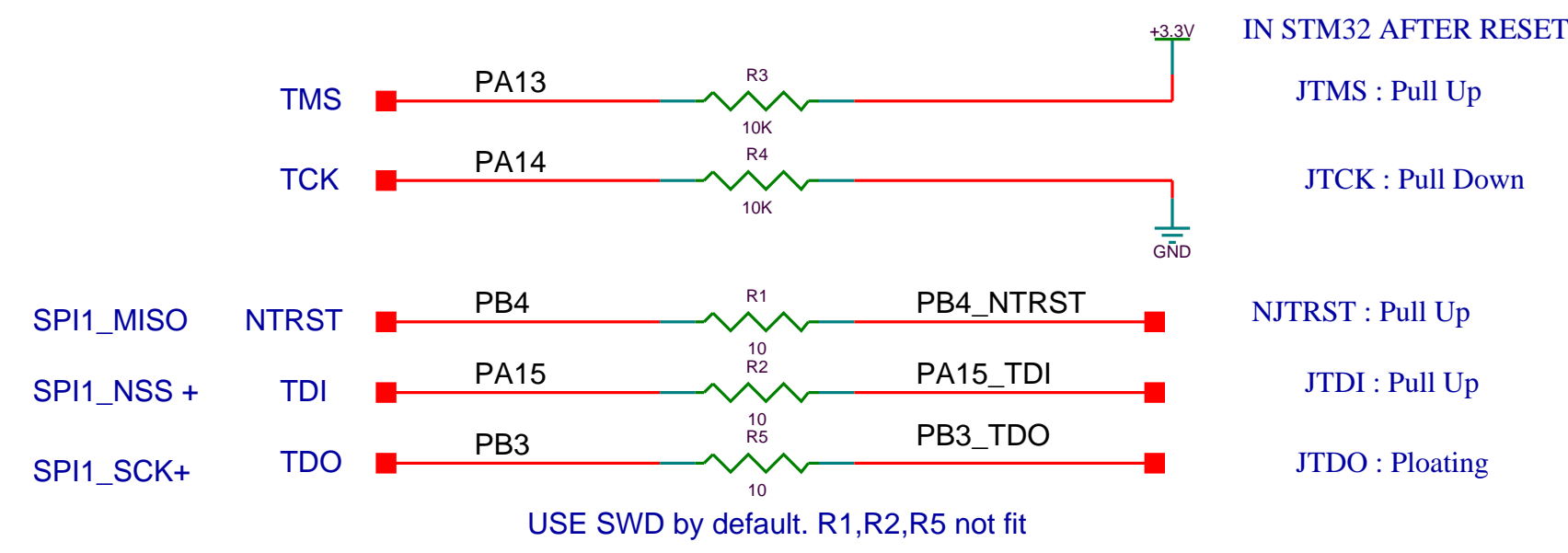
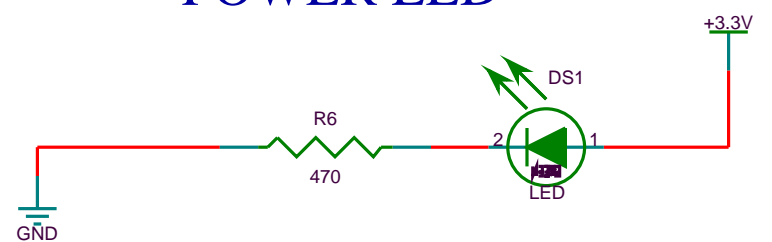


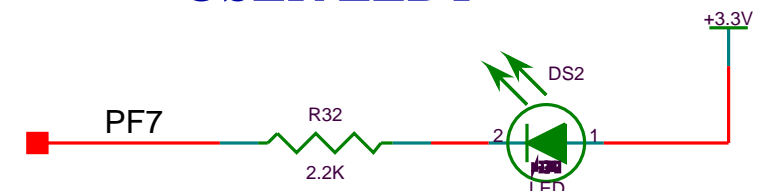
### JTAG PULL UP/DOWN



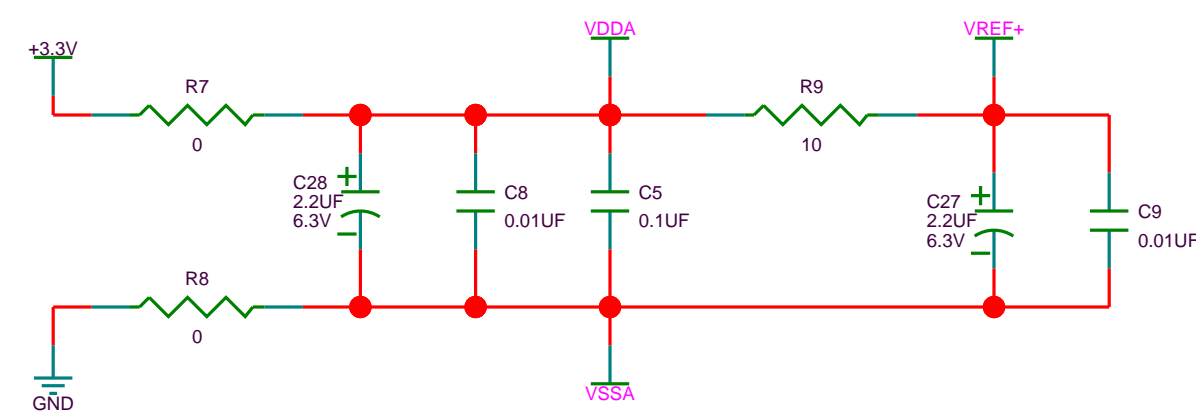
### POWER LED



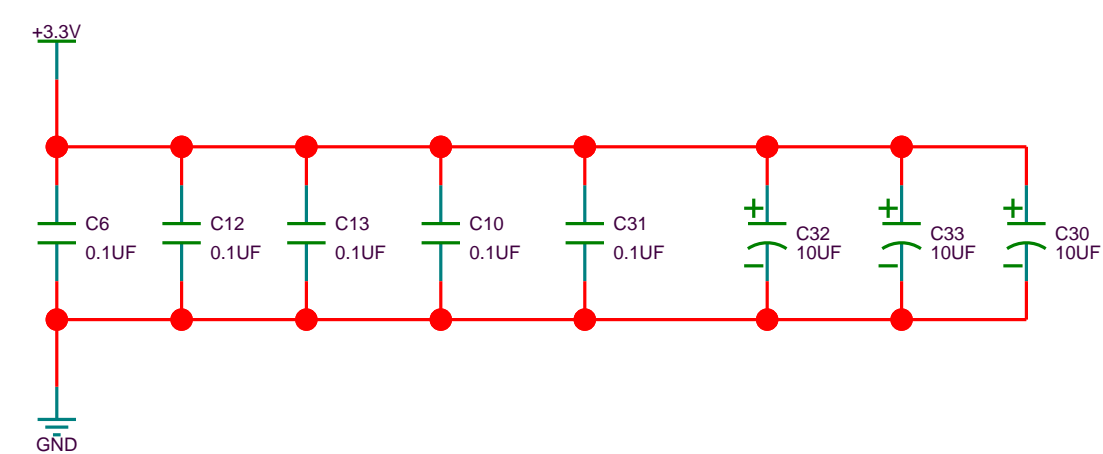
### USER LED1



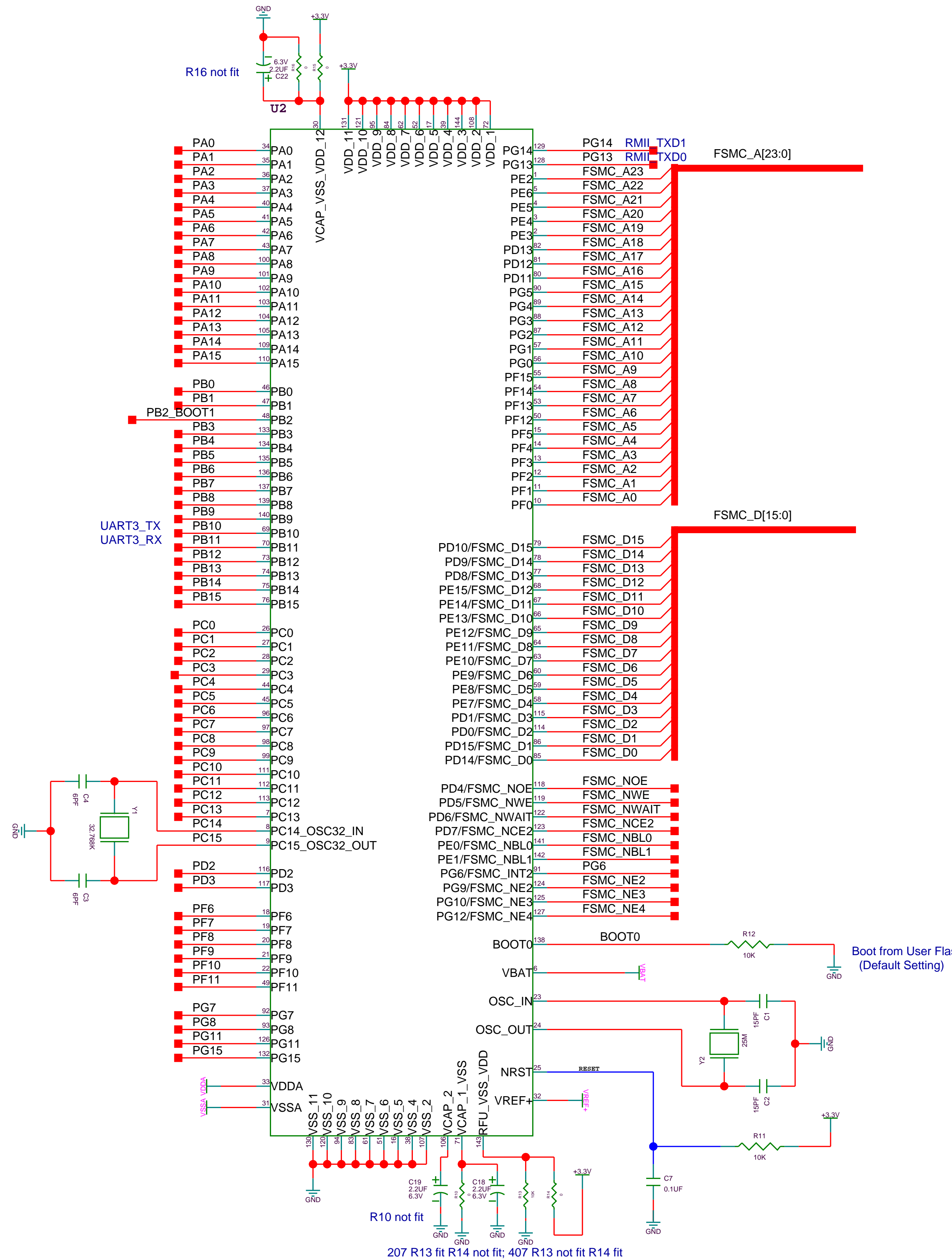
### VDDA AND VREF



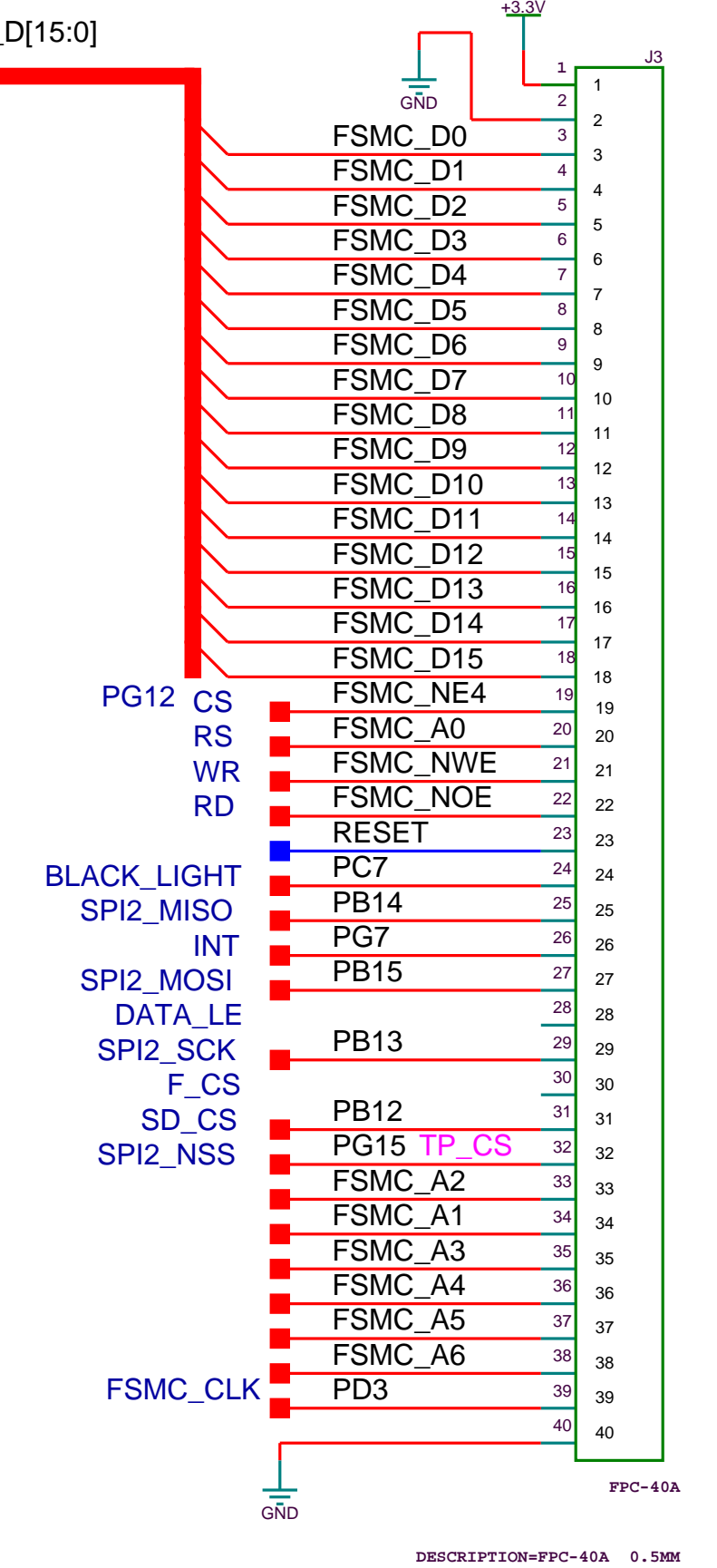
### CAPACITOR



### CPU: STM32F207ZGT/STM32F407ZGT 144PIN



### TFT LCD FPC

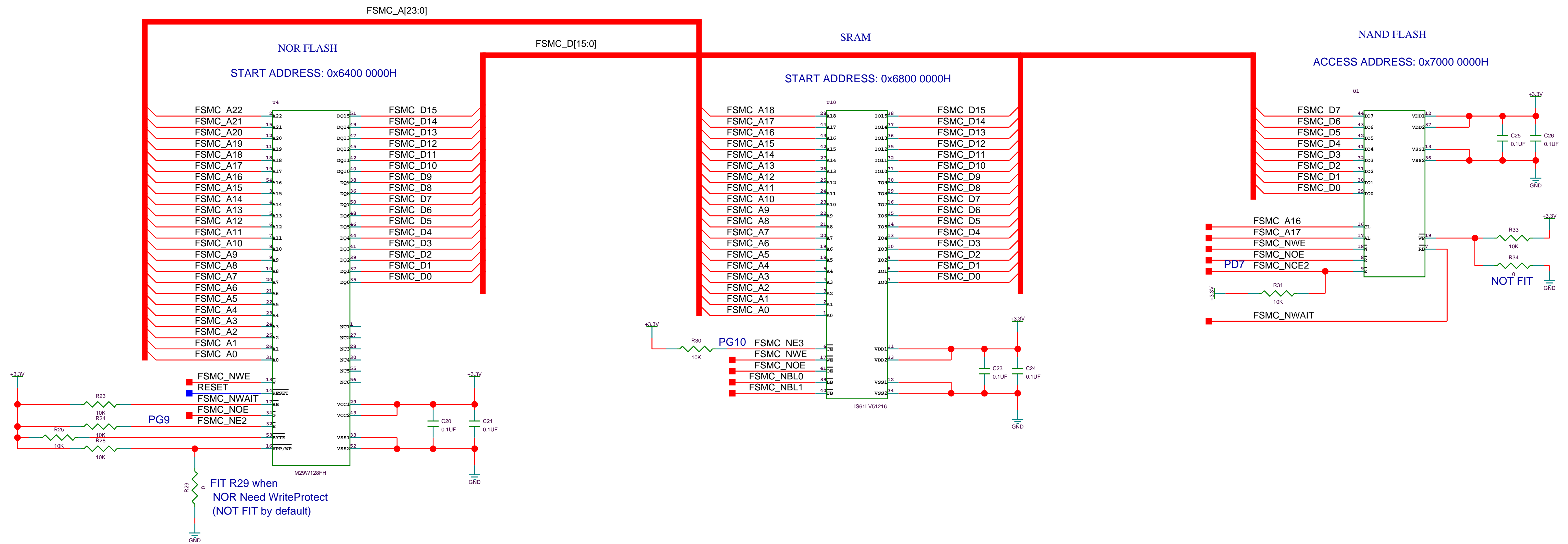


CMD ADDRESS: 0x6C00 0000H  
DATA ADDRESS: 0x6C00 0002H

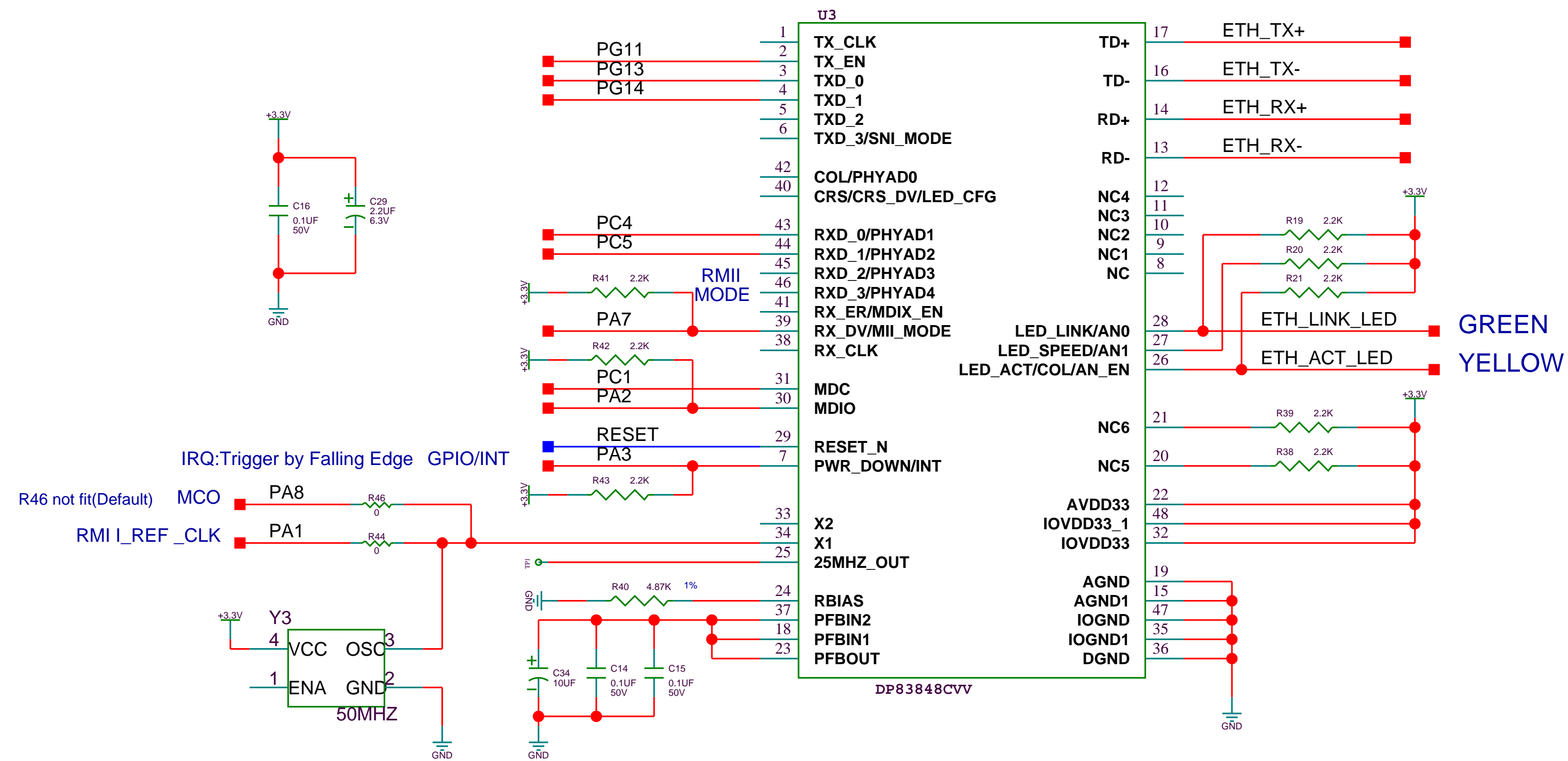
Boot from system memory can using USART1 (PA9/PA10), USART3 (PC10/PC11 or PB10/PB11), CAN2 (PB5/PB13), USB OTG FS in Device mode (PA11/PA12) through DFU

TITLE  
**SZW-STM32F207ZGT**  
**SZW-STM32F407ZGT**

# FLASH AND SRAM



# 10M/100M ETHERNET RMII MODE(Auto-MDIX)



TITLE

**SZW-STM32F207ZGT**  
**SZW-STM32F407ZGT**

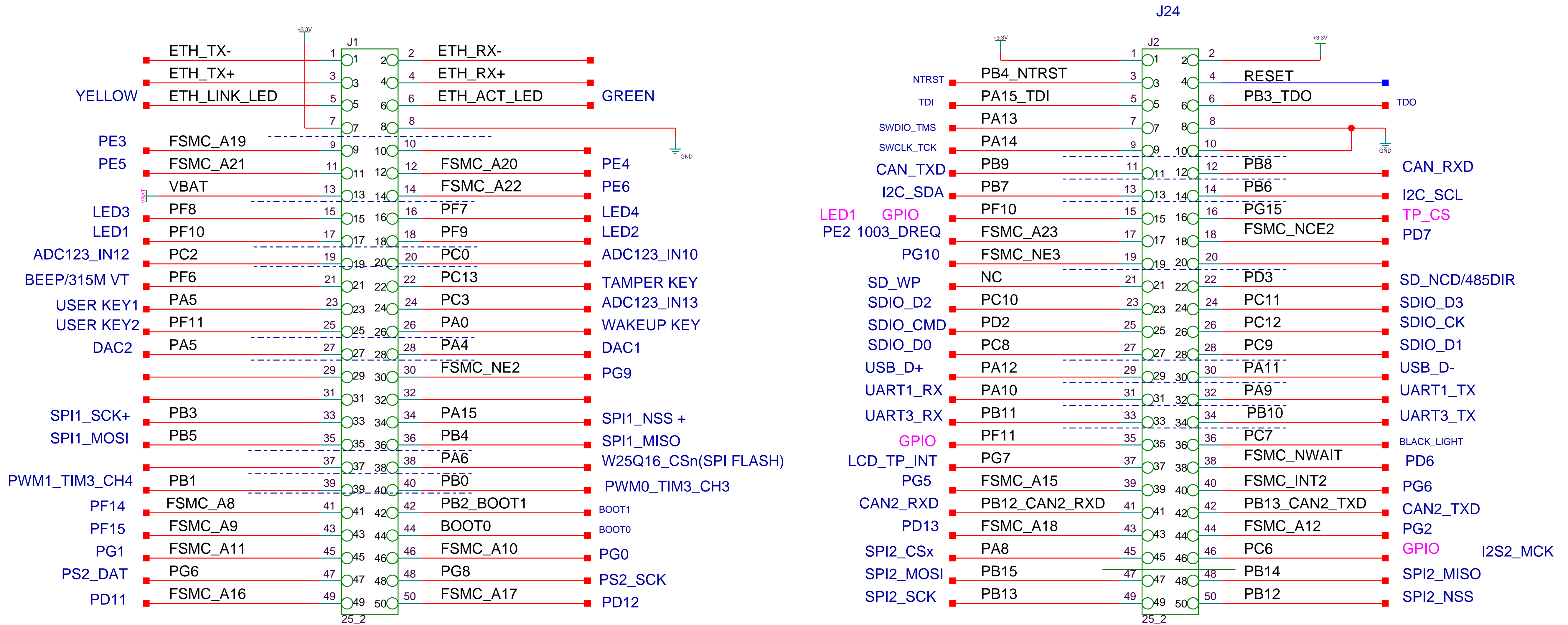
www.armjishu.com

SHEET 1 of 3

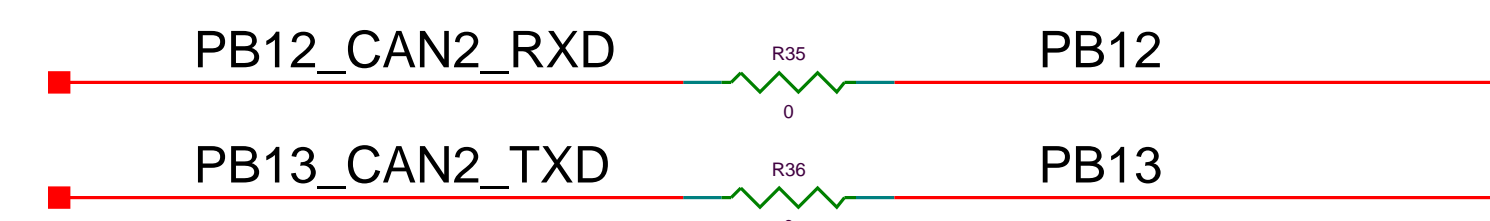
REV V01



# EXPANSION INTERFACE



FIT R35 & R36 WHEN CAN2 IS IN USE(do not fit by default)



TITLE

SZW-STM32F207ZGT  
SZW-STM32F407ZGT