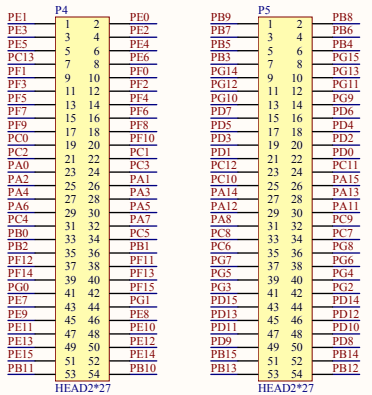
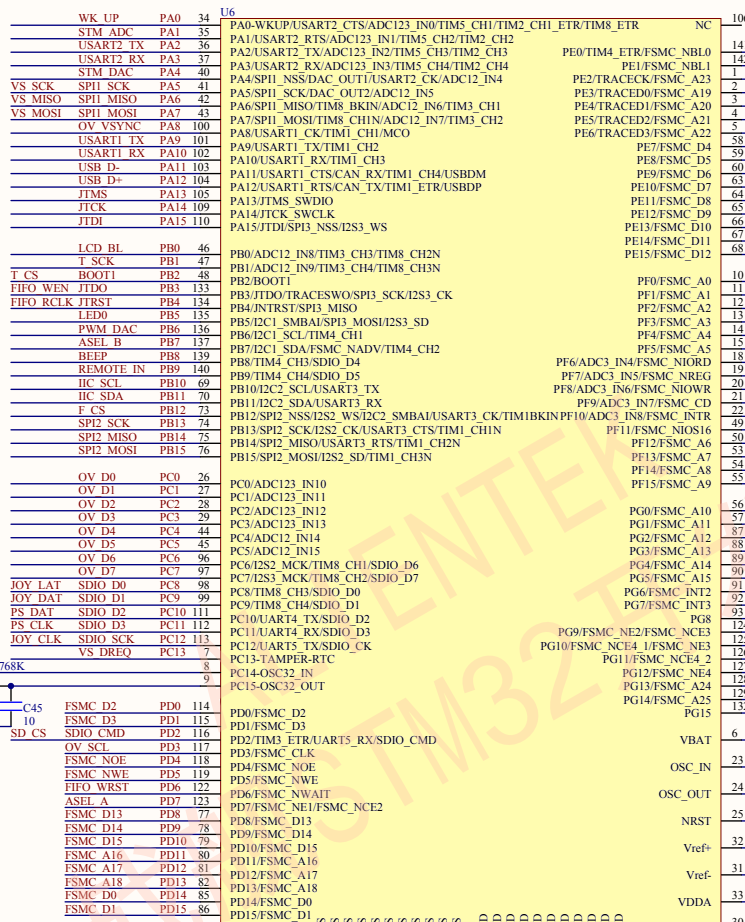


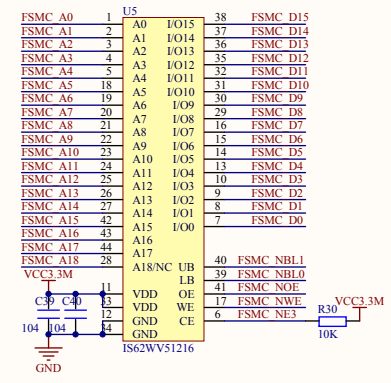
IO



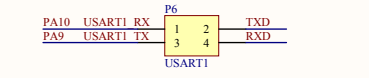
MCU



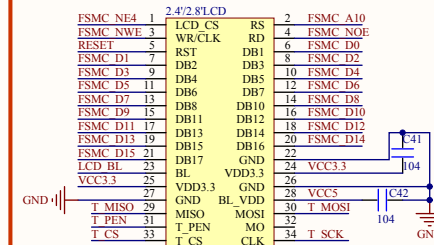
SRAM



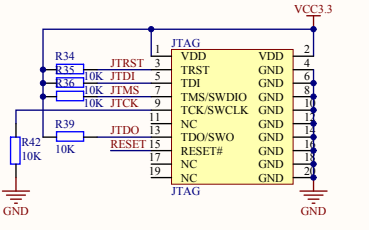
USB_UART/USART1



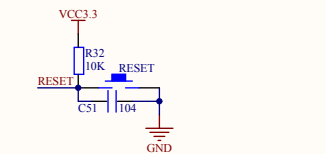
LCD/OLED



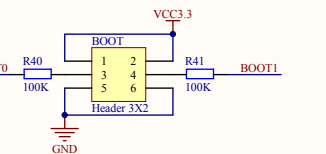
JTAG



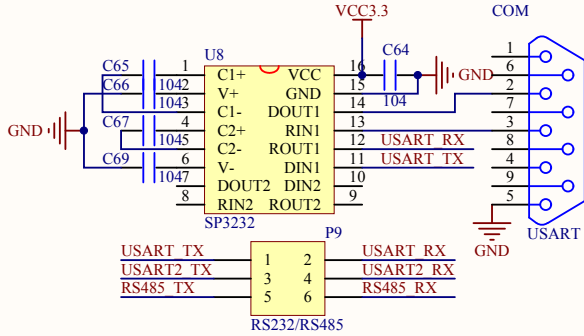
RESET



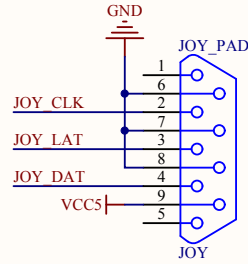
BOOT



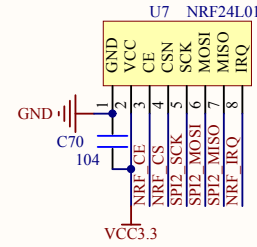
RS232



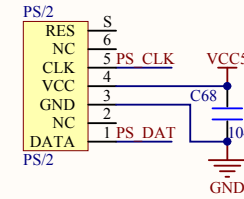
JOYPAD



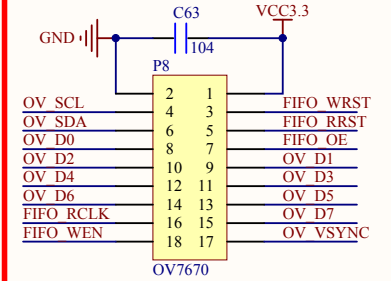
WIRELESS



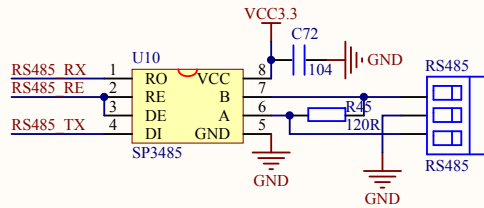
PS/2



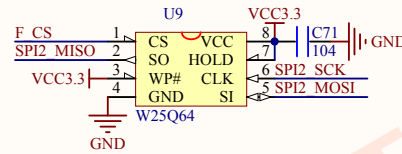
OLED&CAMERA



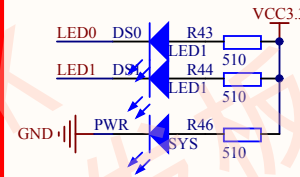
RS485



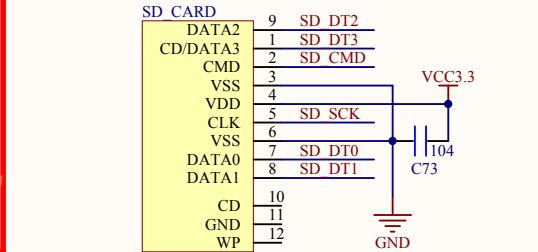
FLASH



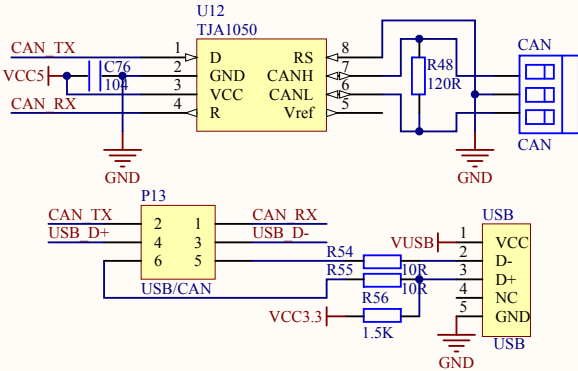
LED



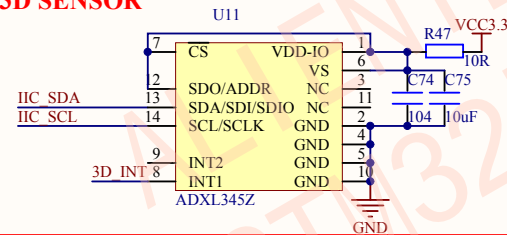
SD CARD&INTERNET



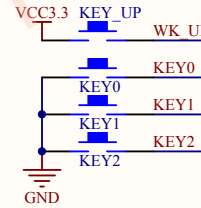
CAN&USB



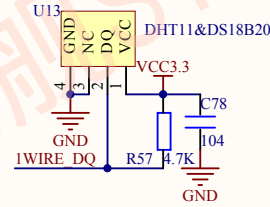
3D SENSOR



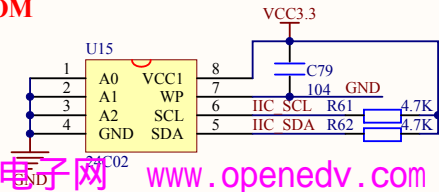
KEY



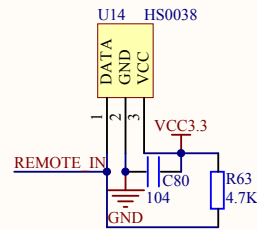
TEMP&HUMI SENSOR



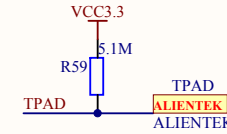
EEPROM



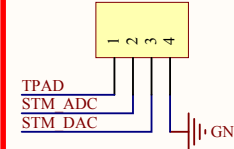
REMOTE



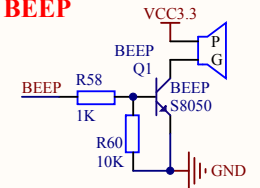
TOUCH_KEY



ADC&DAC



BEEP



Title: WARSHIP STM32 Board

Author: ATOM


Date: 2012-11-26

Revision: 0

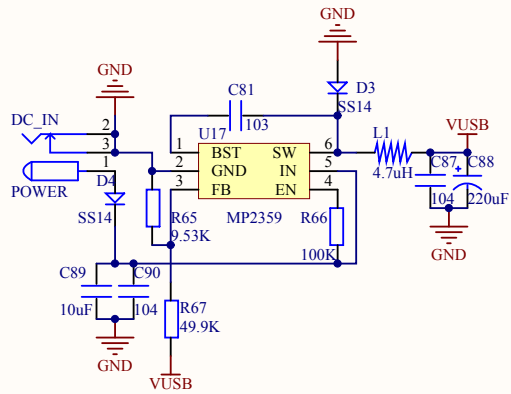
Size: A4

File: DEVICES.SchDoc

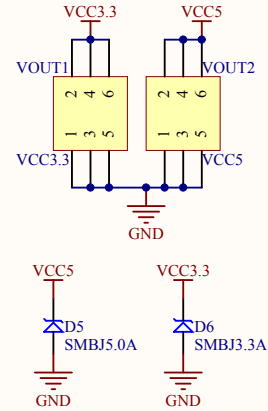
Version: V2.0



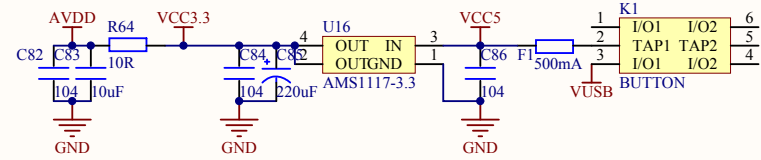
DC POWER IN



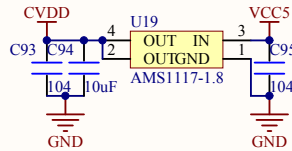
ON BOARD POWER SOURCE



3.3V & POWER SWITCH



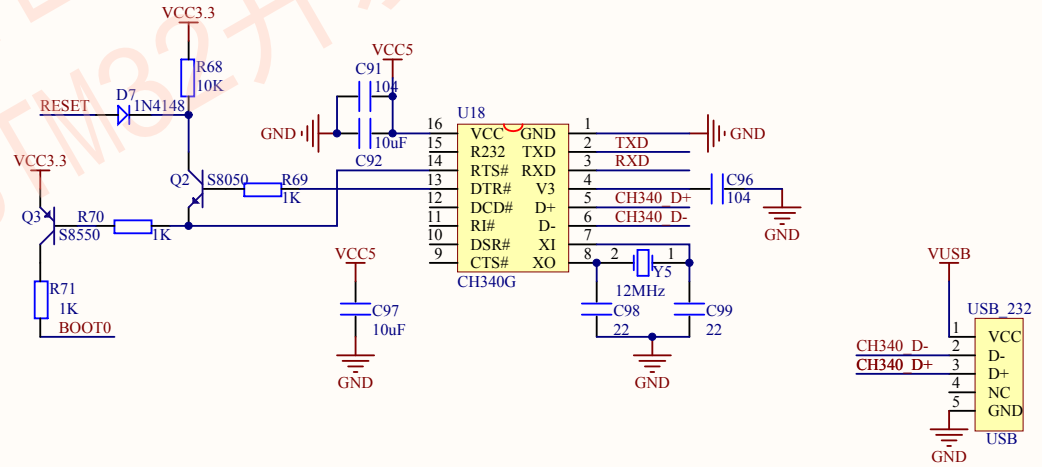
CVDD POWER



ATTENTION:

When use VS1053B, CVDD must be 1.8V, and IIS is available.

USB USART & USB POWER



Title: WARSHIP STM32 Board	
Author: ATOM	Size: A4
Date: 2012-11-26	File: POWER&USB USART.SchDoc
Revision: 0	Version: V2.0



156.21mm

112.14mm

