

6

5

4

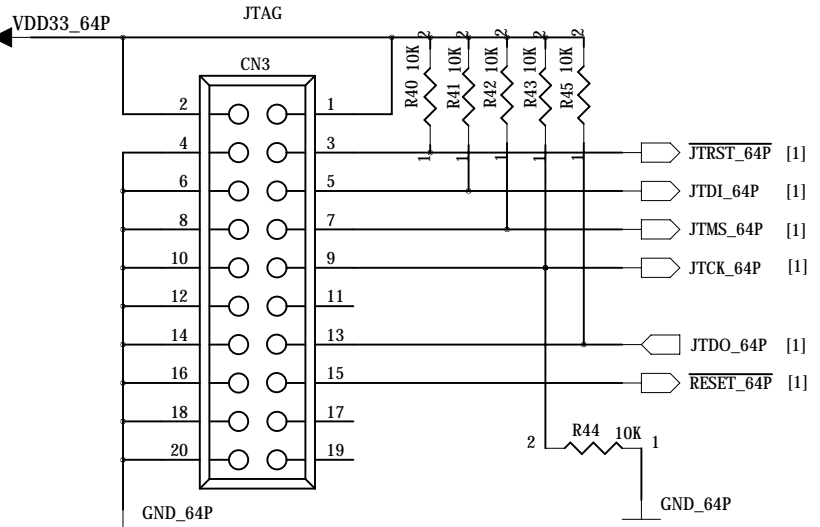
3

2

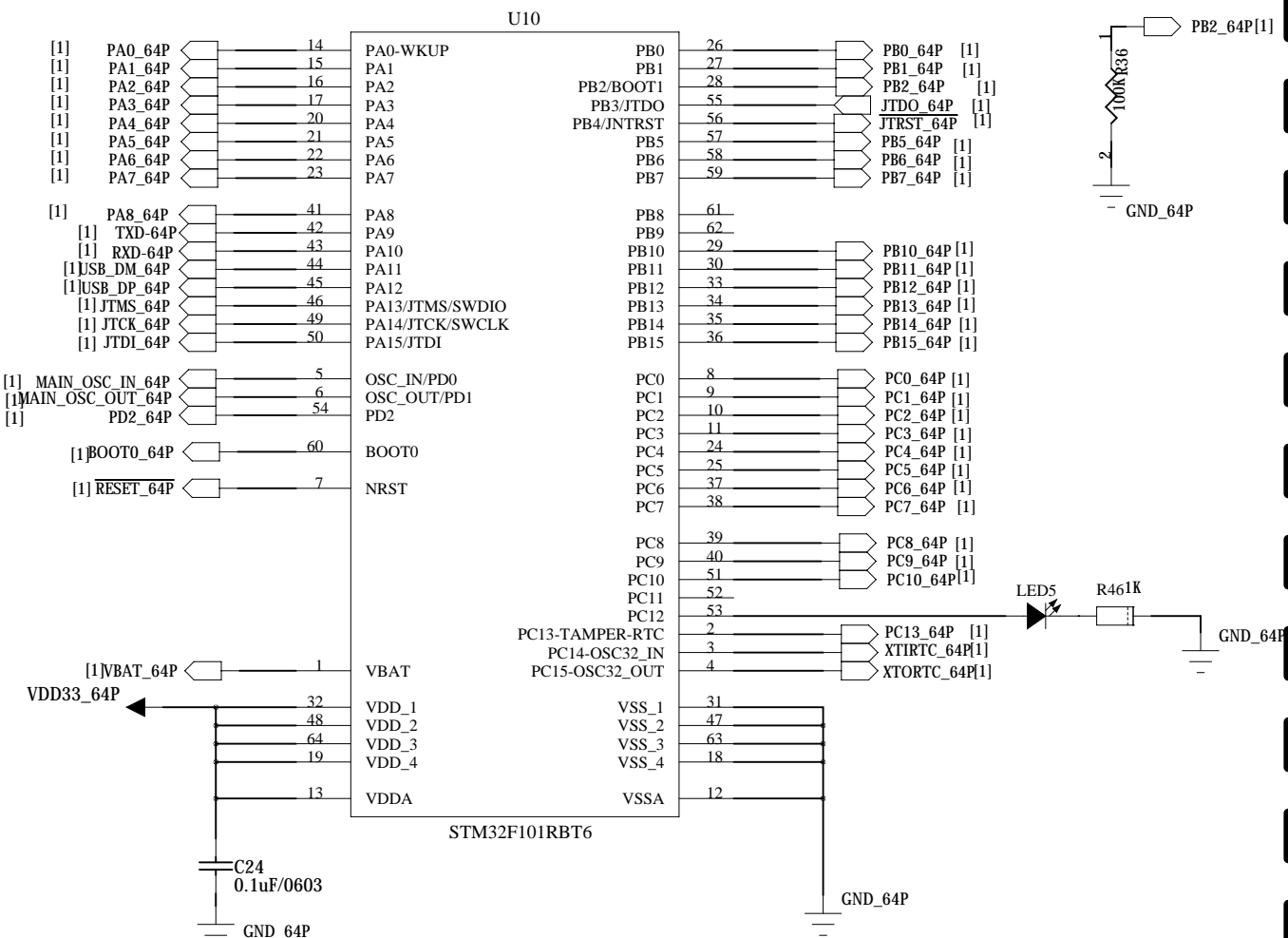
1

REVISION RECORD			
LTR	ECO NO:	APPROVED:	DATE:

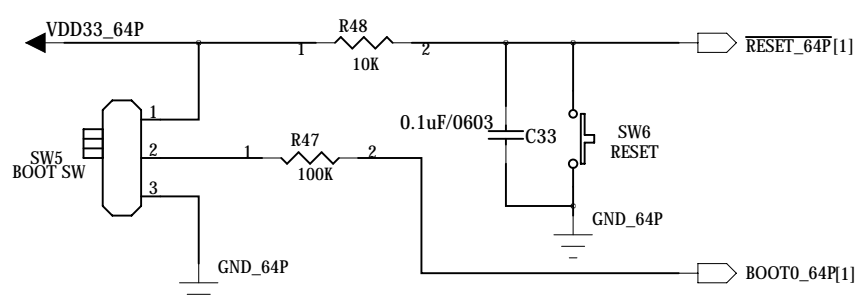
JTAG



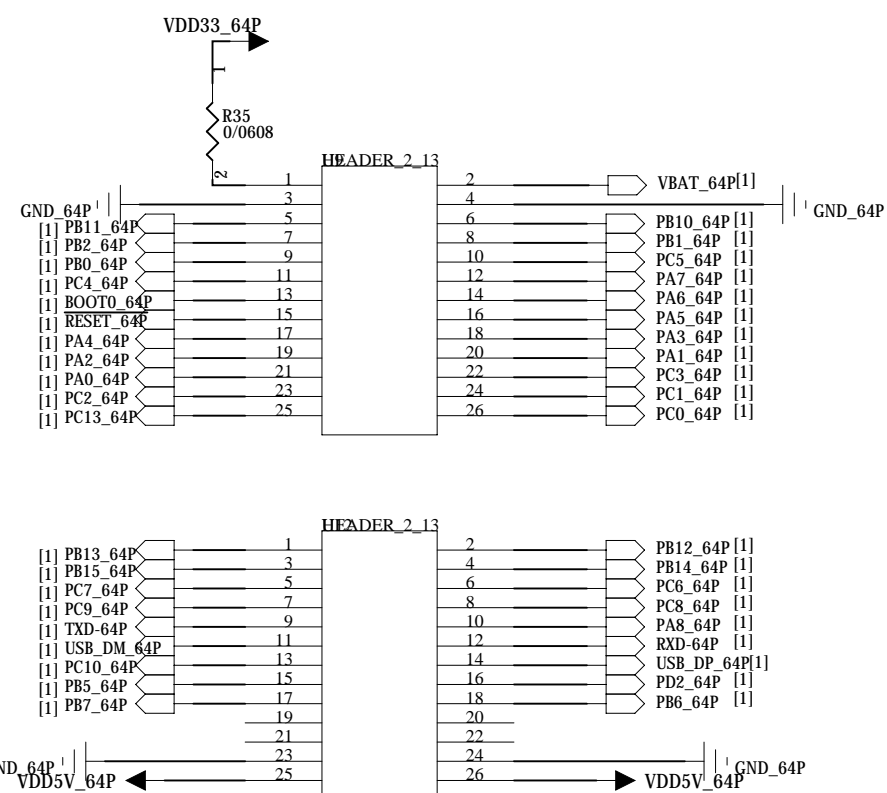
MCU



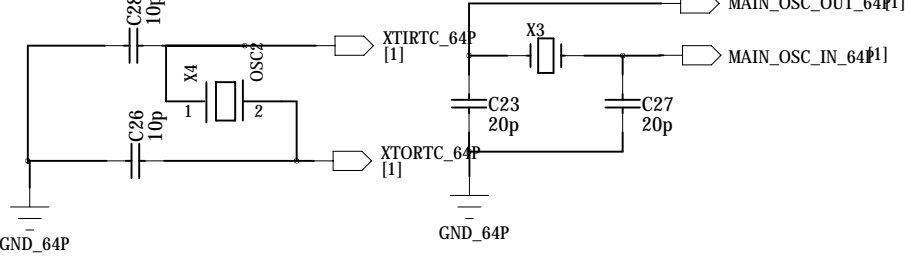
BOOT0 & RESET



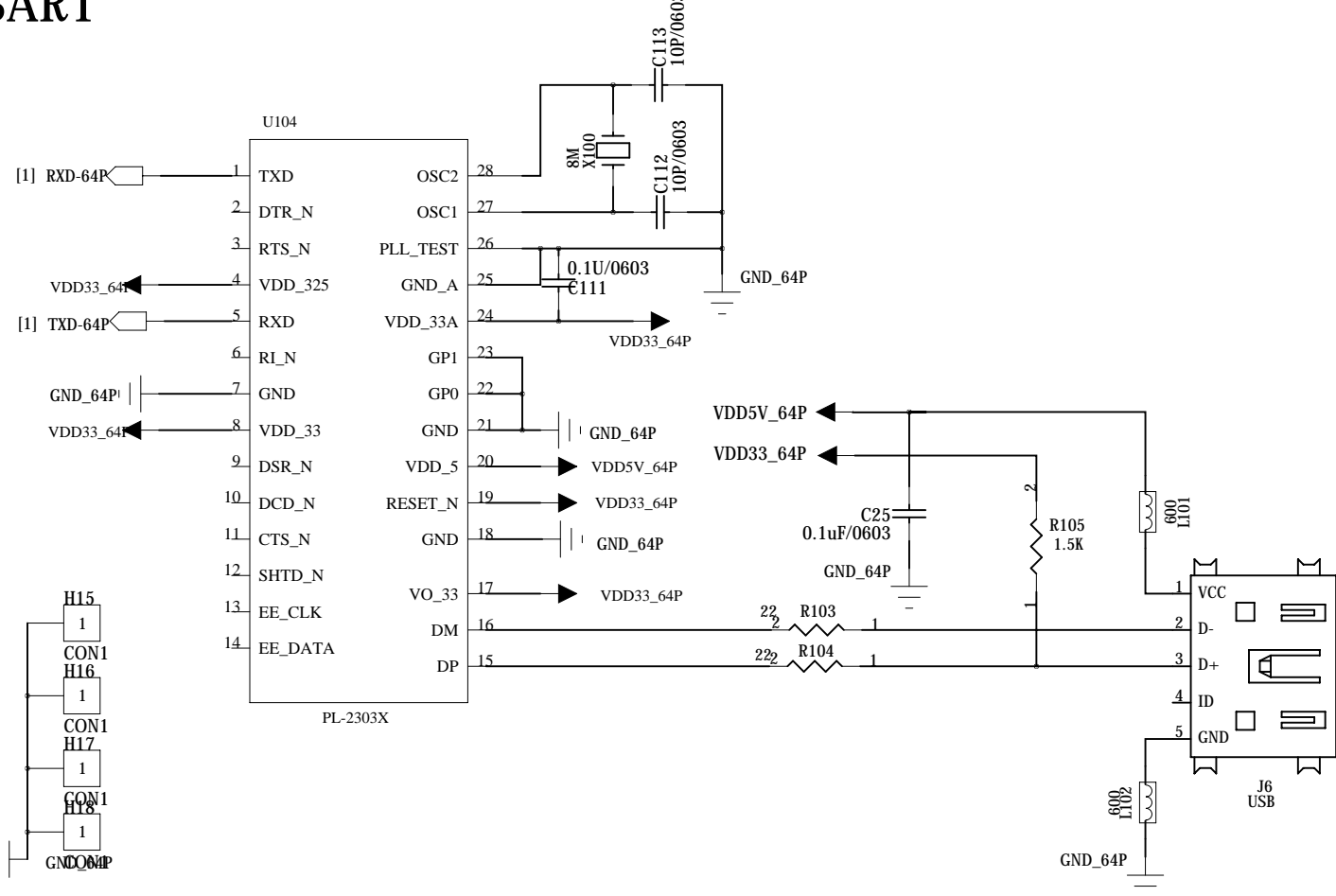
IO



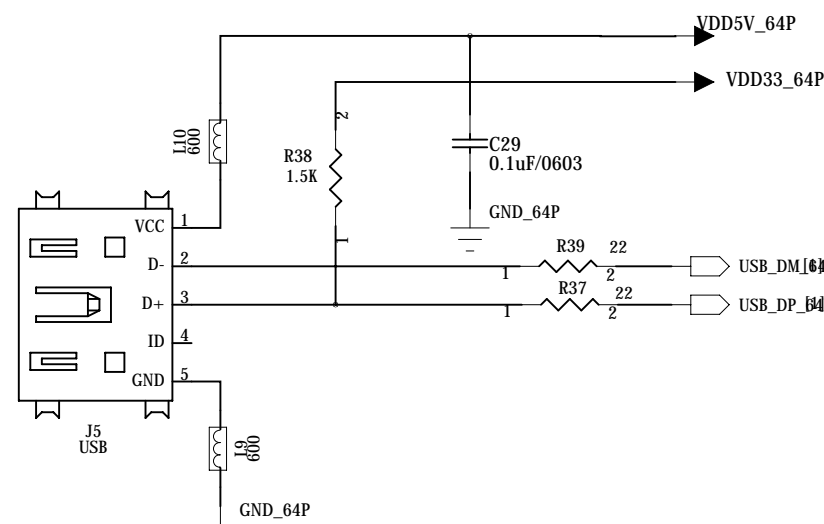
OSC



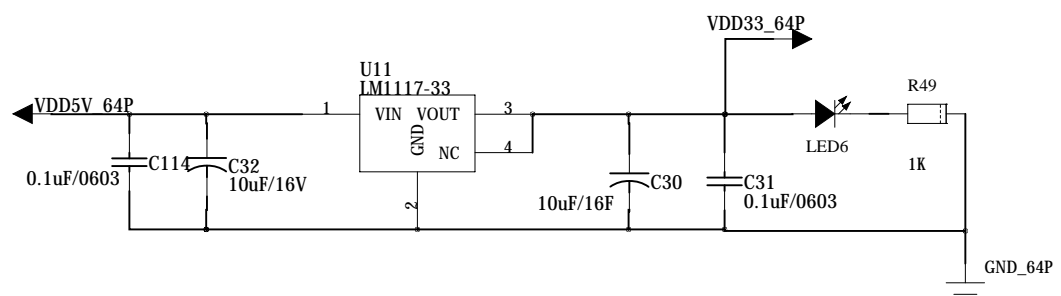
USART



USB



POWER



COMPANY: JK Electronics			
TITLE: STM32 64P			
DRAWN: <Drawn By>	DATED: <Drawn Date>	CODE: <Code>	
CHECKED: <Checked By>	DATED: <Checked Date>	SIZE: C	DRAWING NO: 201010
QUALITY CONTROL: <QC By>	DATED: <QC Date>	REV: V1	
RELEASED: <Released By>	DATED: <Release Date>	SCALE: <Scale>	SHEET: 4 of 4

6

5

4

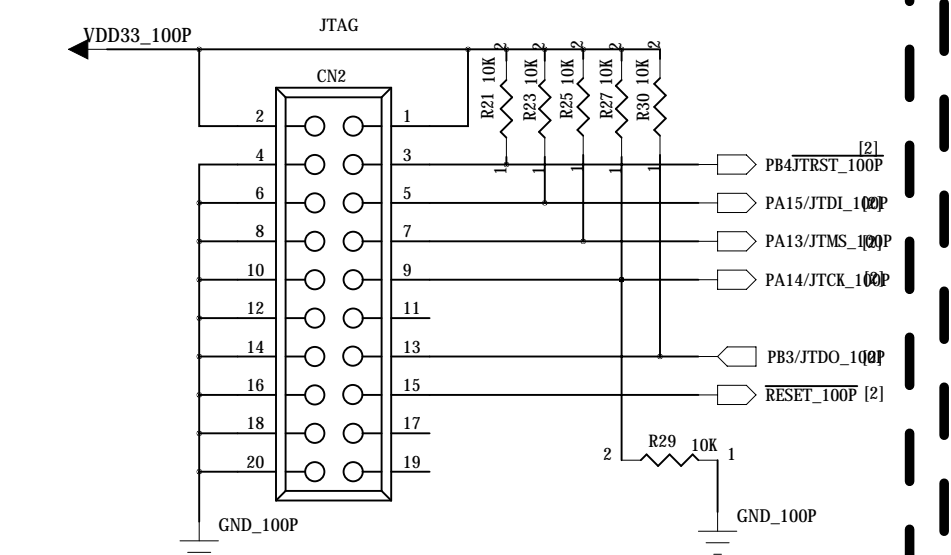
3

2

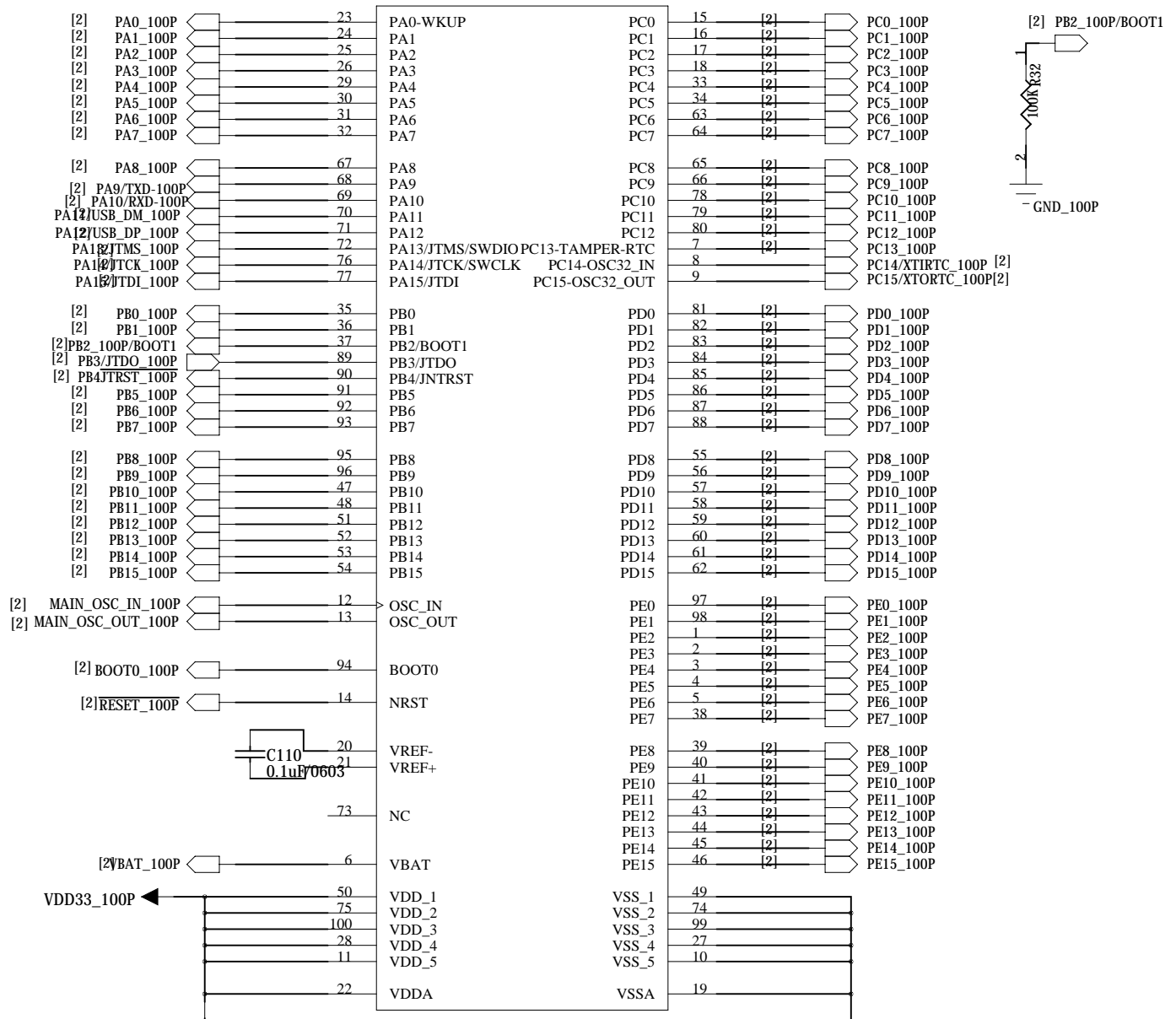
1

REVISION RECORD			
LTR	ECO NO:	APPROVED:	DATE:

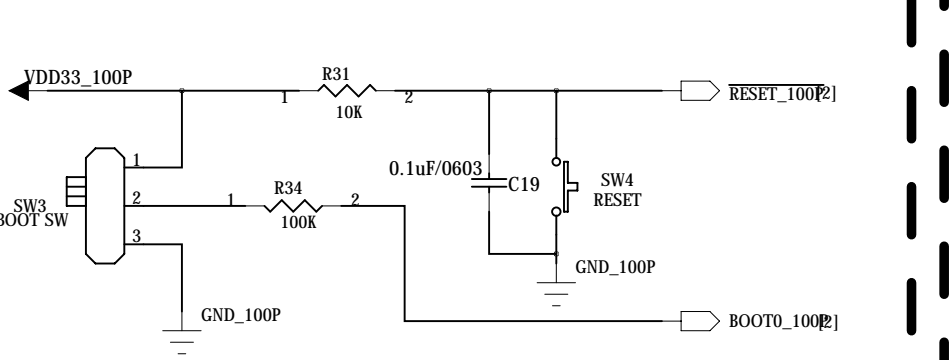
JTAG



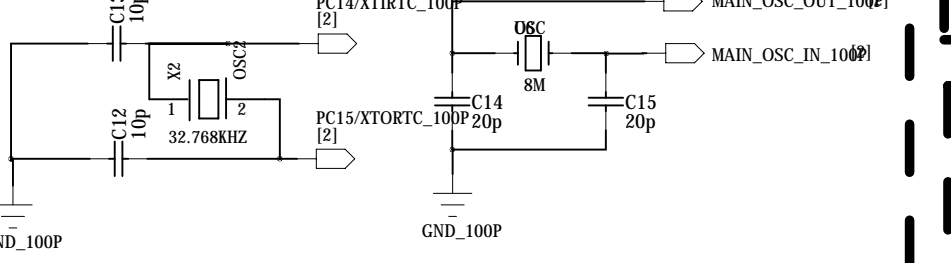
MCU



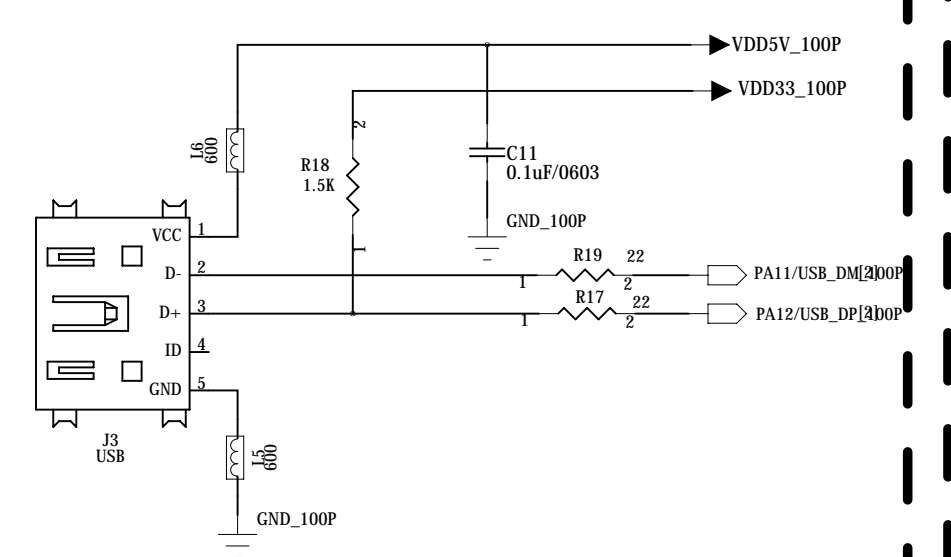
BOOT0 & RESET



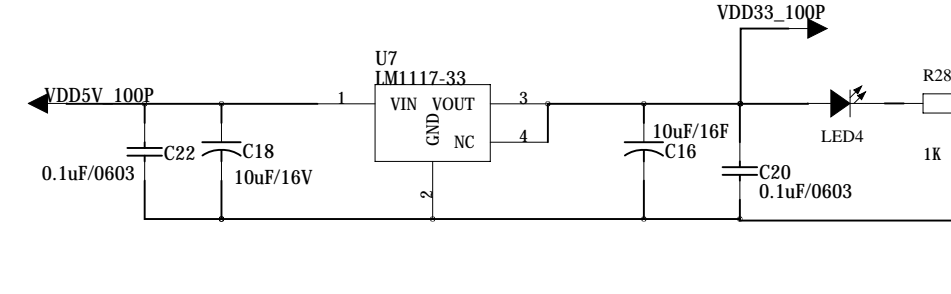
OSC



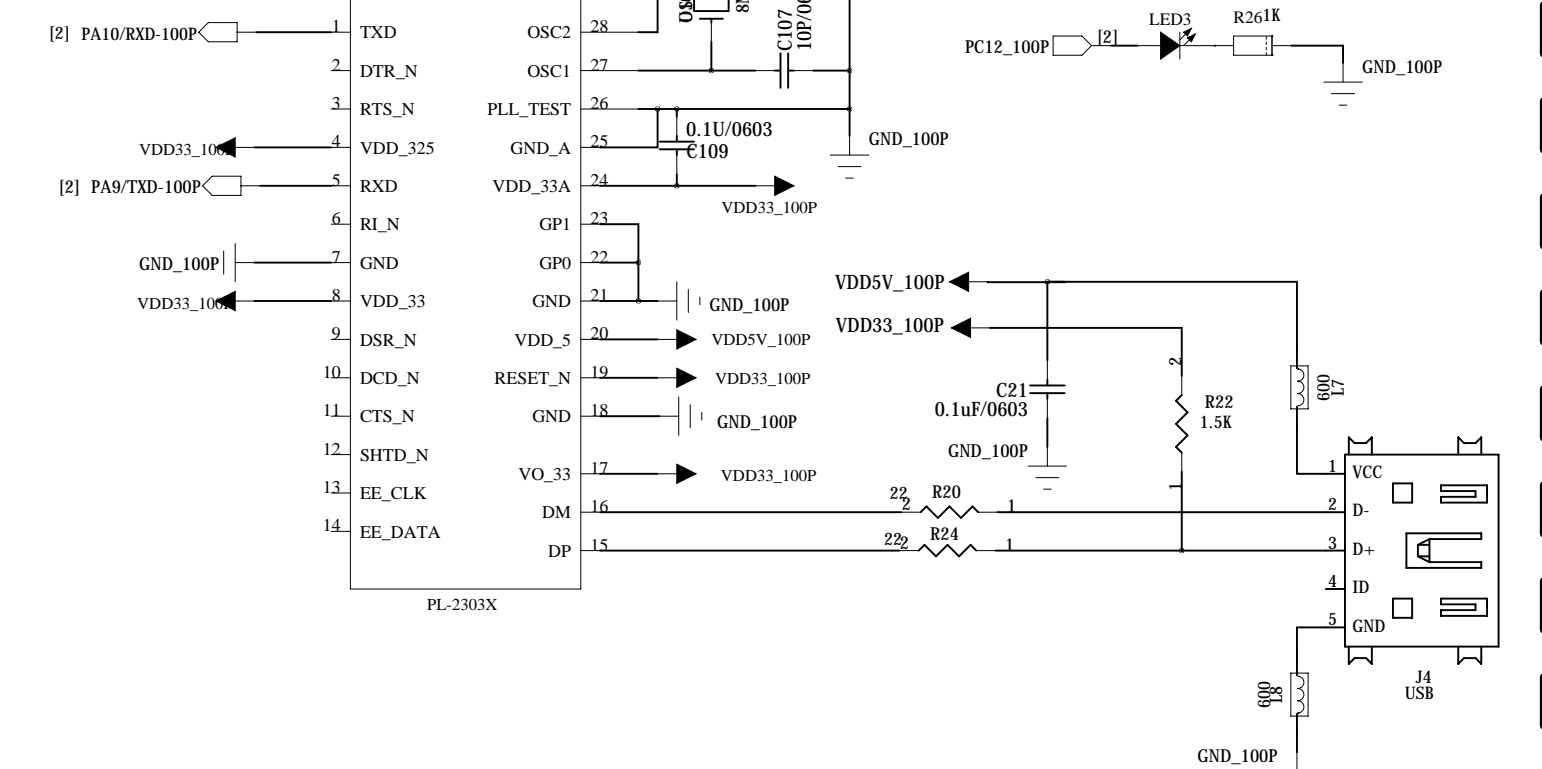
USB



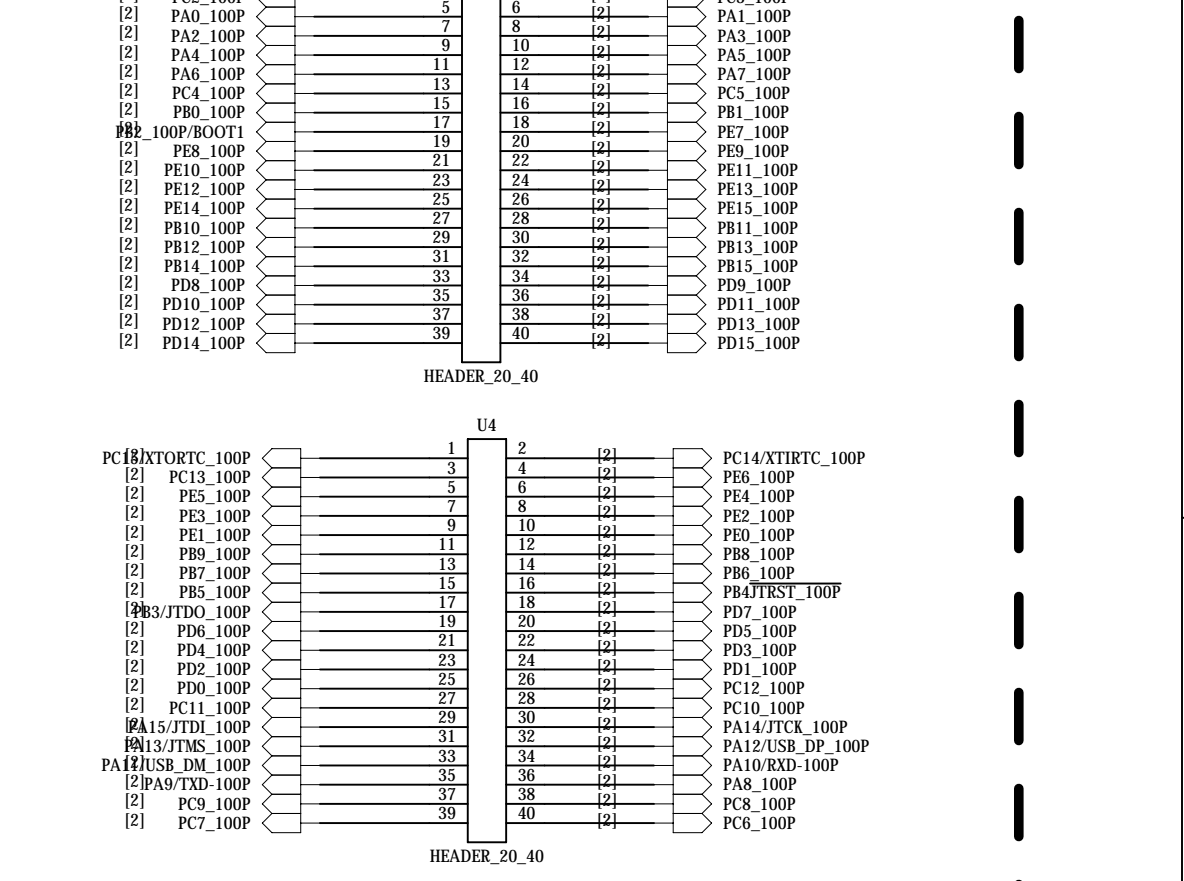
POWER



USART



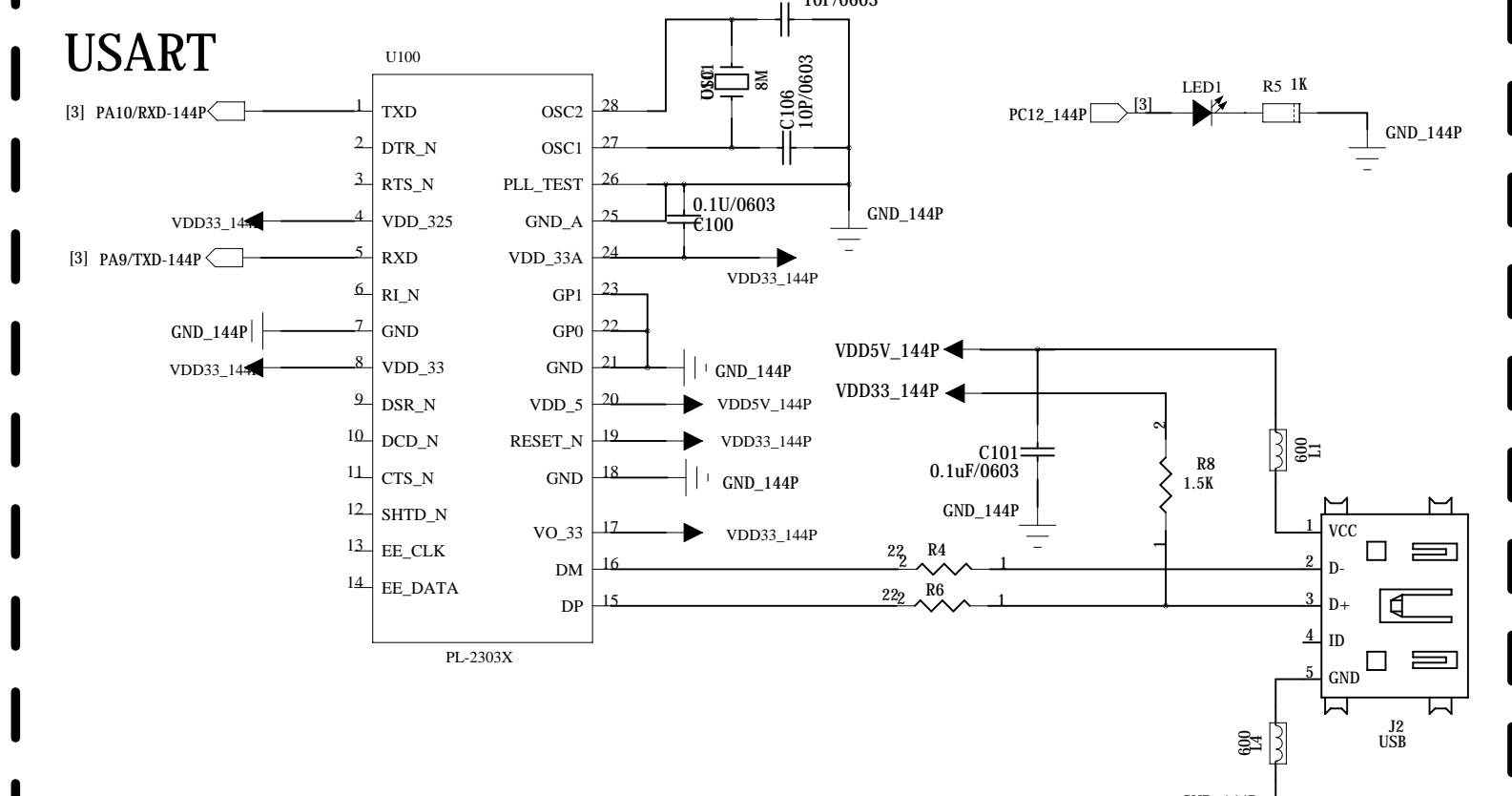
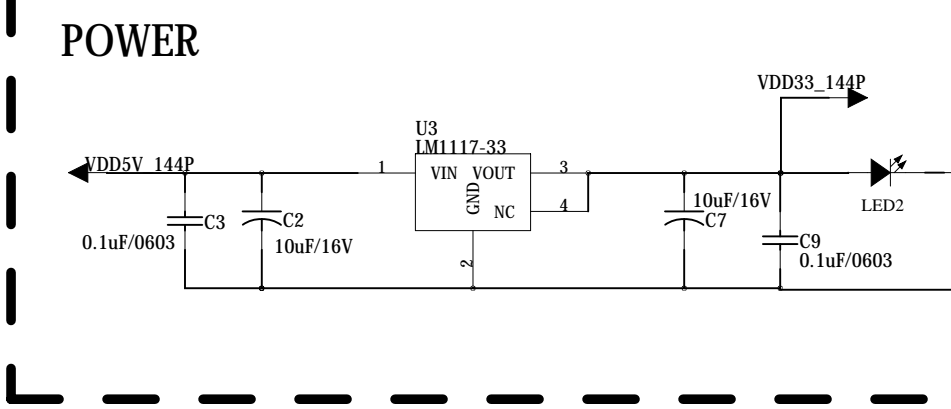
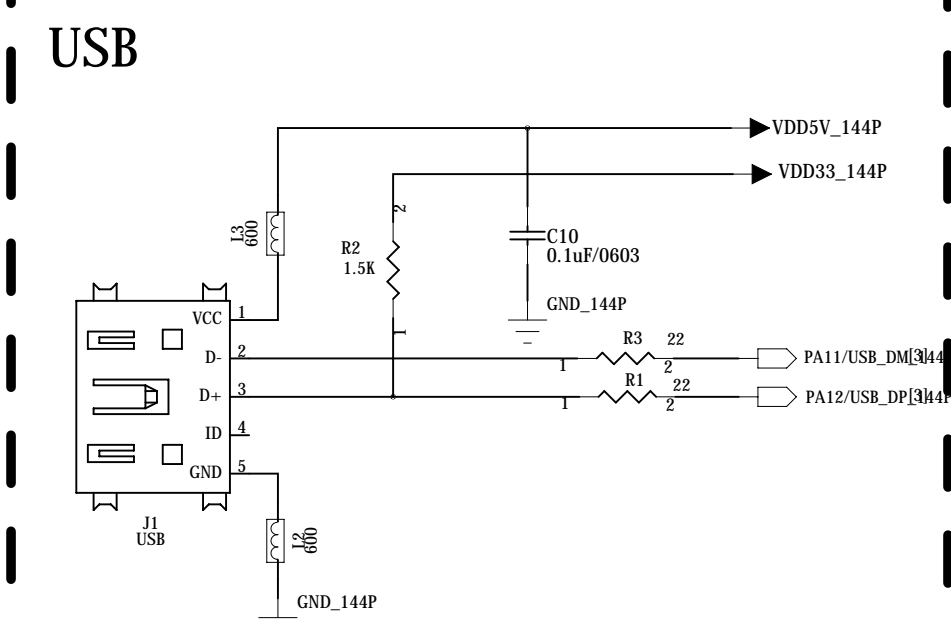
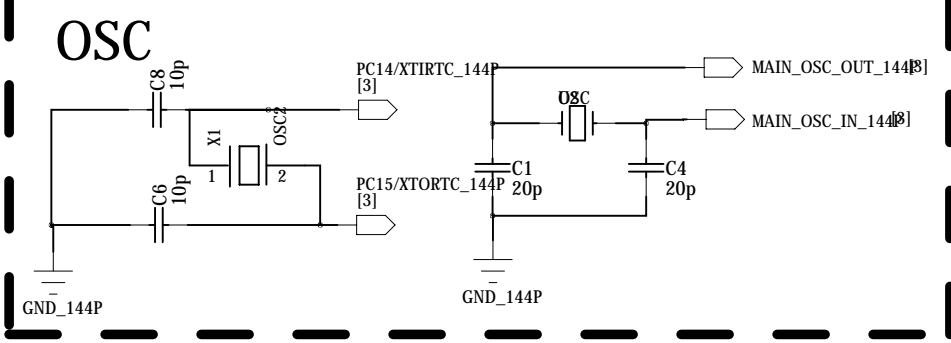
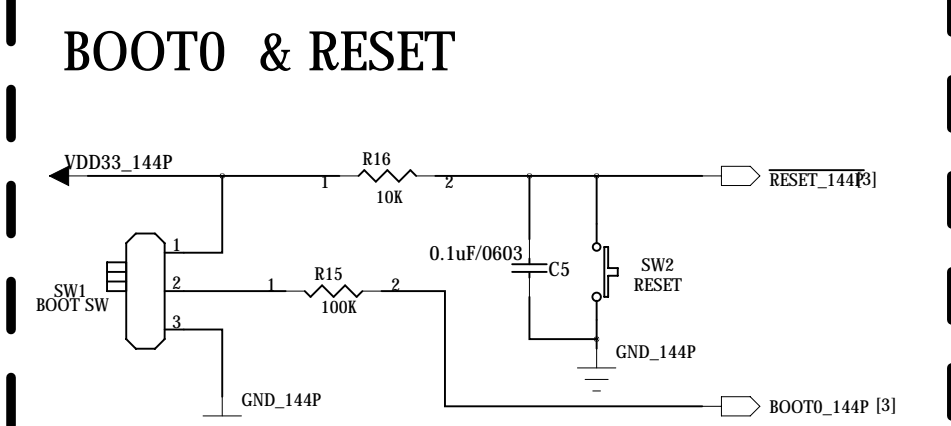
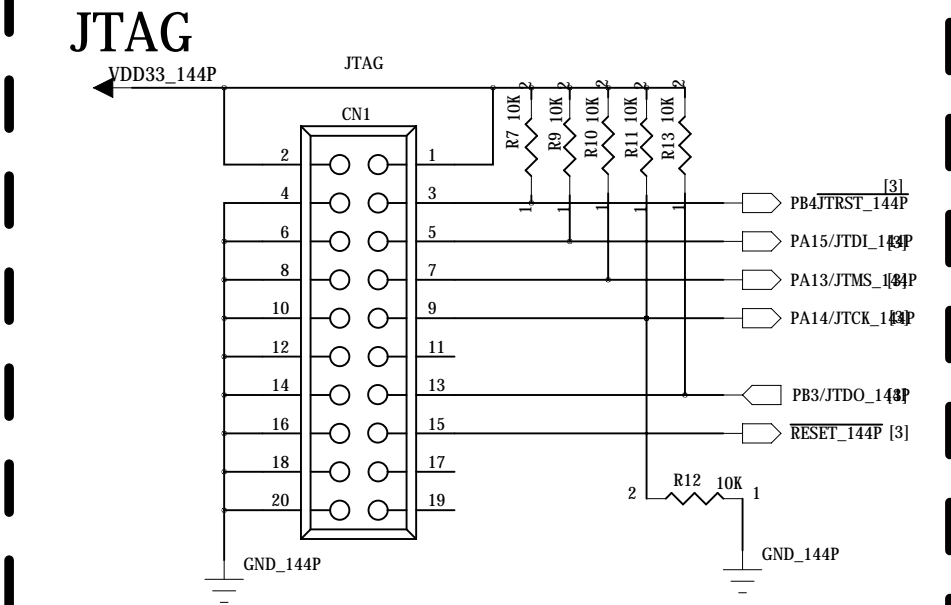
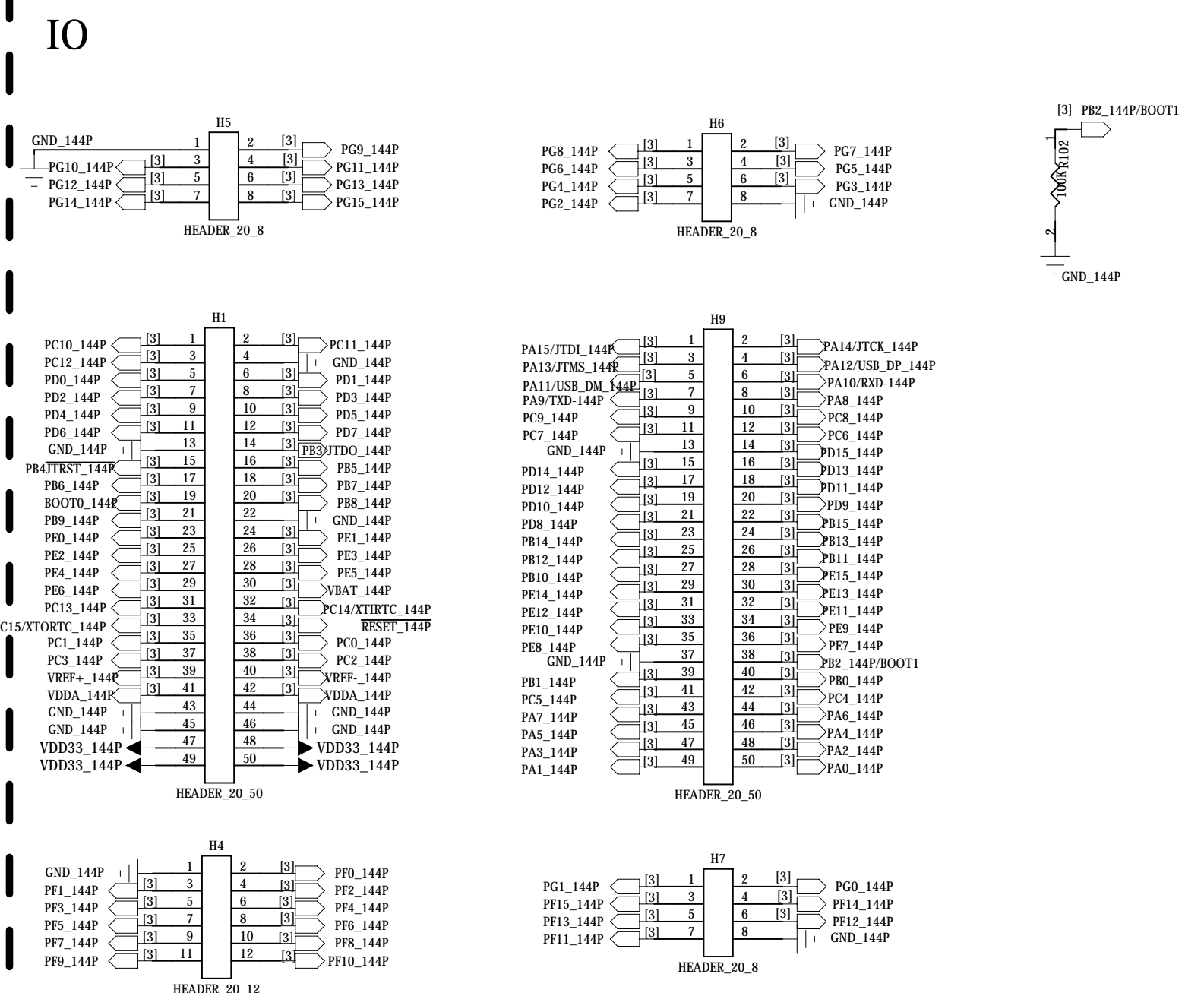
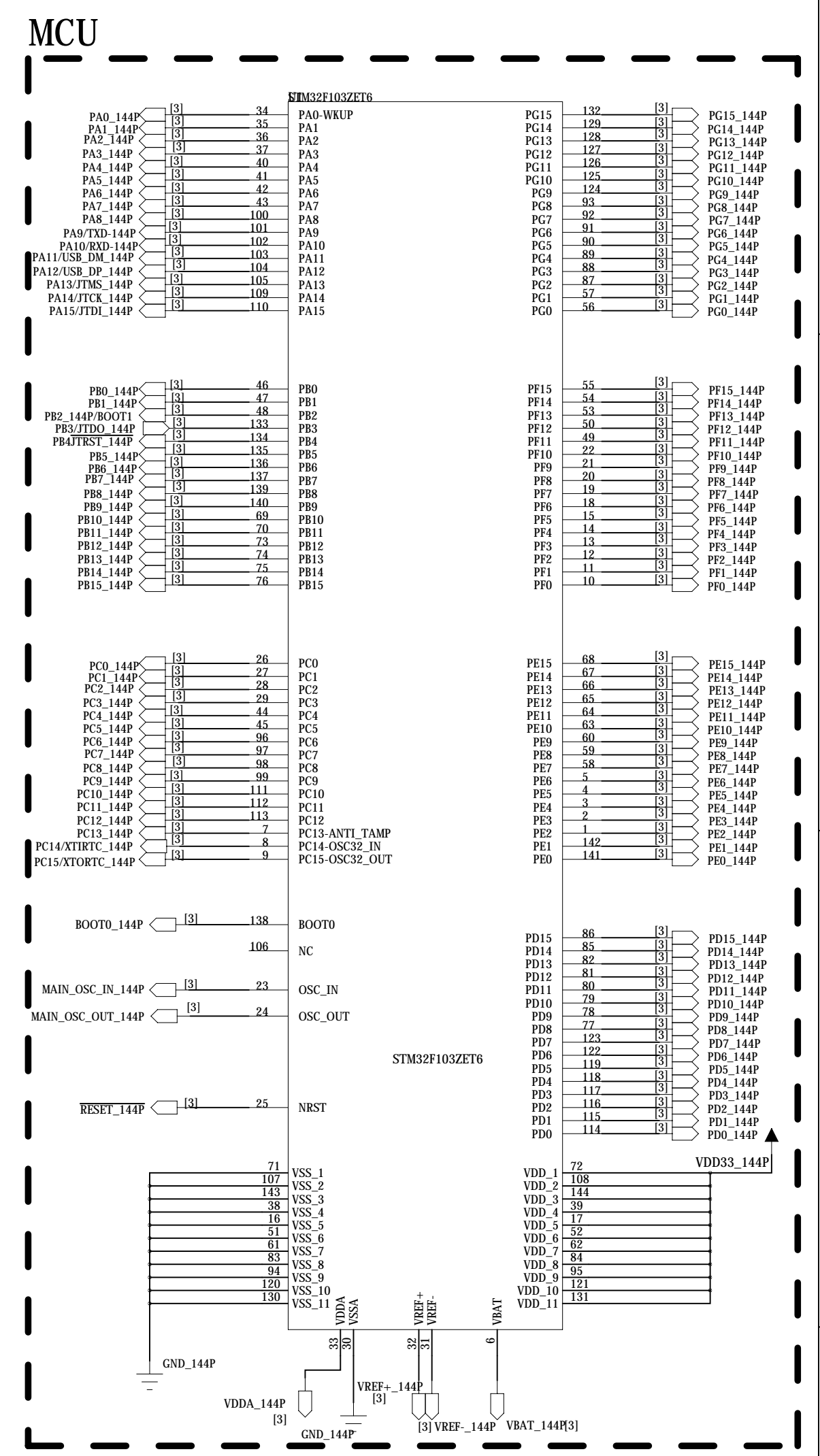
IO



COMPANY: JK Electronics			
TITLE: STM32 100P			
CODE: <Code>	SIZE: C	DRAWING NO: 201010	REV: V1
SCALE: <Scale>			
SHEET: 2 of 4			

DRAWN: 100P <Drawn By>	DATED: <Drawn Date>
CHECKED: <Checked By>	DATED: <Checked Date>
QUALITY CONTROL: <QC By>	DATED: <QC Date>
RELEASED: <Released By>	DATED: <Release Date>

REVISION RECORD			
LTR	ECO NO:	APPROVED:	DATE:



COMPANY: JK Electronics			
TITLE: STM32 144P			
DRAWN: <Drawn By>	DATED: <Drawn Date>	CODE: <Code>	SIZE: C
CHECKED: <Checked By>	DATED: <Checked Date>	DRAWING NO: 201010	REV: V1
QUALITY CONTROL: <QC By>	DATED: <QC Date>	SCALE: <Scale>	SHEET: 3F 4
RELEASED: <Released By>	DATED: <Release Date>		

6

5

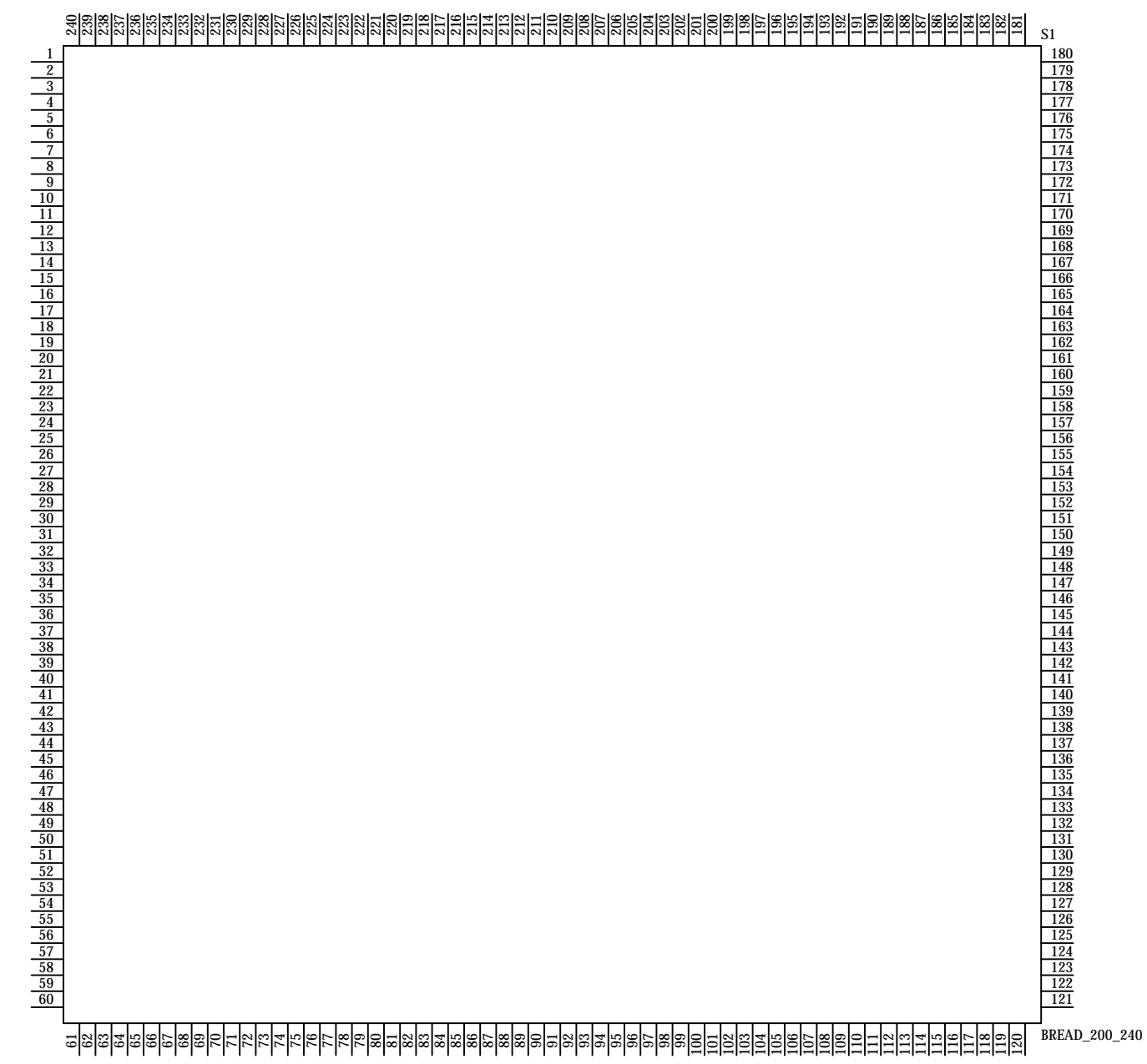
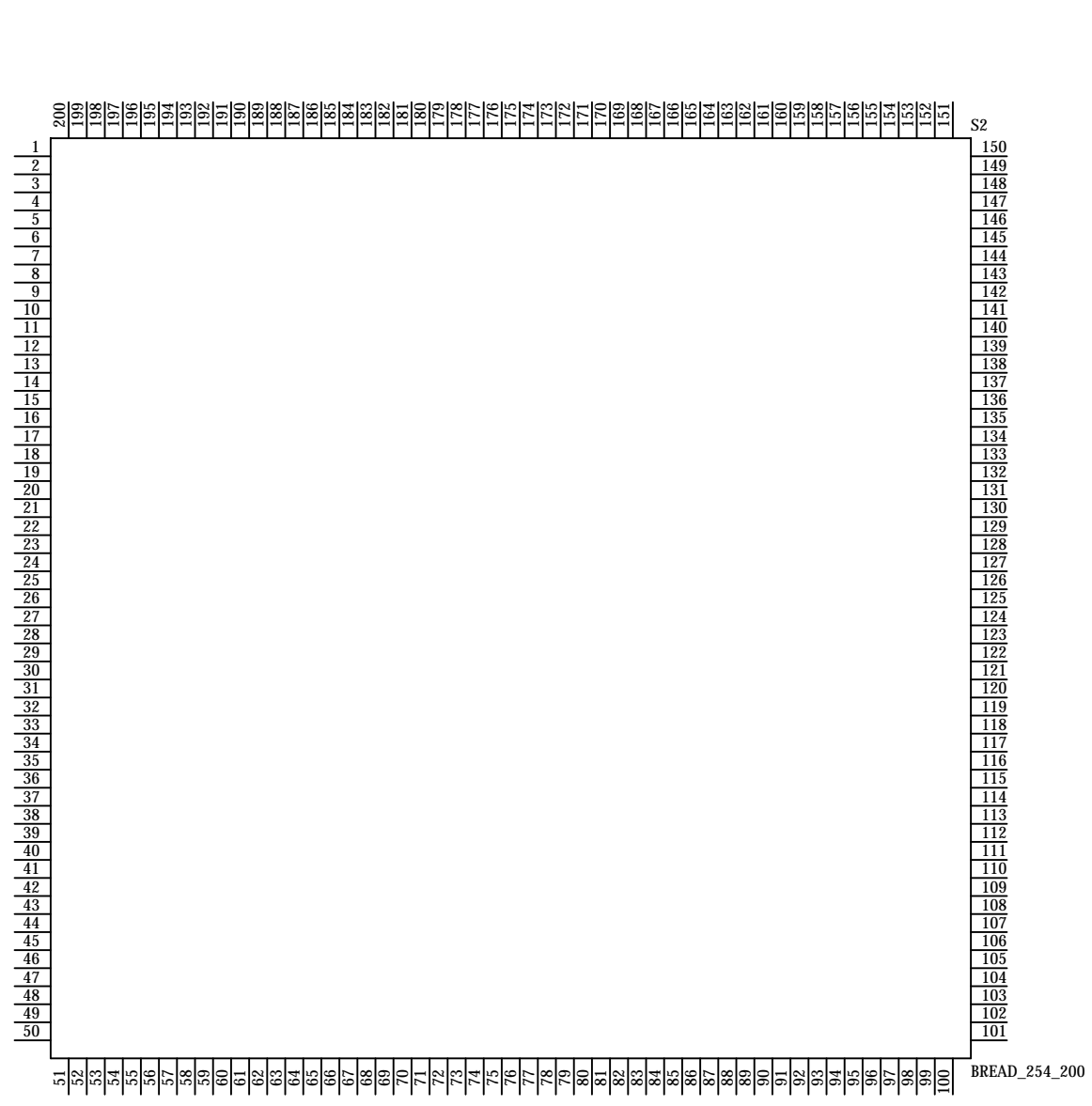
4

3

2

1

REVISION RECORD			
LTR	ECO NO:	APPROVED:	DATE:



COMPANY: JK Electronics			
TITLE: STM32			
CODE:	SIZE:	DRAWING NO:	REV:
<Code>	C	201010	V1
SCALE: <Scale>			SHEET: 4 of 4

DRAWN:	DATED:
<Drawn By>	<Drawn Date>
CHECKED:	DATED:
<Checked By>	<Checked Date>
QUALITY CONTROL:	DATED:
<QC By>	<QC Date>
RELEASED:	DATED:
<Released By>	<Release Date>

D

D

C

C

B

B

A

A